

*pulsar* DTS-i  
220

 **BAJAJ**  
Distinctly Ahead

*pulsar* DTS-i  
220

(For 220 S & F)

**Bajaj Auto Limited**  
Akurdi Pune 411 035 India  
Tel +91 20 27472851  
Fax +91 20 27407385  
[www.bajajauto.com](http://www.bajajauto.com)

# Spare Parts Catalogue

(Export)



We have pleasure in presenting the Spare Parts Catalogue for '**Pulsar 220 for full Fairing (F) & Small Fairing (S)**' Motorcycle. This catalogue has been specially designed to assist you in selecting the correct parts for procurement to maintain 100% availability.

The Bajaj spares are subjected to the stringent quality control standards to ensure longer life of the vehicle. It is therefore necessary that only the Genuine Bajaj Spares are used.

In a continual effort to improve Performance and Efficiency of the vehicles, Specifications, Diagrams, Illustrations and Part Numbers can change without notice. Consequently, the description in this Spare Parts Catalogue cannot therefore be final and binding on us.

The modifications / alterations which are carried out after the issue of this catalogue, will be conveyed to you through our Service Circulars. You are requested to make necessary corrections in the Parts Catalogue as per the circulars so as to keep your catalogue up-to-date. This will ensure the appropriate and speedy delivery of the Spare Parts as the order placed will bear the latest part numbers.

In case, if you need any technical assistance contact the concerned Regional Office or write to us on the following address :

**Bajaj Auto Limited**

**International Business**

Akurdi, Pune 411 035 India

Phone : 020-27472851

Fax : 020-27407395

Email : Spdexportss@bajajauto.co.in

All information contained in this manual is based on the latest product information at the time of publication. Bajaj Auto Limited accepts no liability for any inaccuracies or omissions in this publication, although every possible care has been taken to make it as complete and accurate as possible. All procedures and specifications subject to change without prior notice. The right is reserved to make such changes at any time without prior notice and without incurring an obligation to make such changes to product manufactured previously. Contact authorized Bajaj Dealer for the latest information on product improvements incorporated after this manual was issued.

**DOC. NO.: 71111554**

**REV. 00 MAR. 2012**

**1. How to Read the Catalogue :** Open the catalogue and from the pictorial index locate the group in which the part you want to find is present. Turn over to the concerned page number (as given by pictorial index). Now find out the figure of the part you wish to order. Write down the part number against that particular figure number from the text.

In case, if you have the part number and you need the other details, the part index can be used. The part index (at the end of the catalogue) will give you the figure and page number of the part you wish to order.

**2. How to Order Spare Parts :** The part number and the description of the part required should be invariably mentioned in the order as per the catalogue text.

The latest part number as conveyed through our service circulars should only appear on the order. In case of ordering painted components, colour shade of the components should be mentioned.

The quantity shown against the part number is the quantity per vehicle for that group so that particular quantity should be multiplied by the number of sets required.

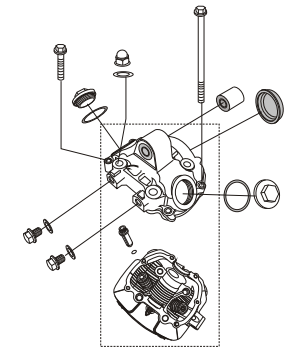
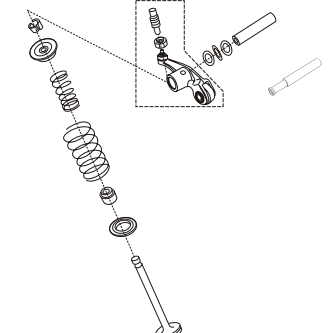
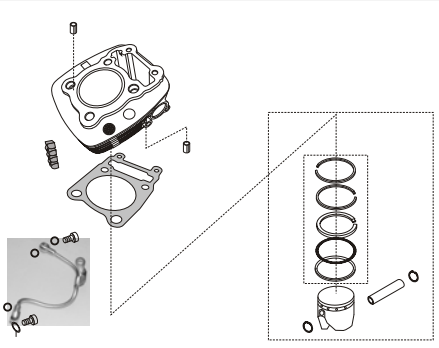
**3. Part Number System:** We have used 8 digit system for part numbers. The model or hardware item is indicated by first two digits or alphanumeric, the next two or four digits indicate main group and the last four or two digits indicate serial number in main group or serial number or subgroup of fastener respectively. Thus the part numbers will be indicated by 2-2-4 or 2-4-2 digit system. Understanding this system will enable you to identify the spare parts easily.

**4. Abbreviations :** The following abbreviations are used in this catalogue.

assly.	Assembly	V	Volts
N.I.	Not illustrated	W	Watts
C'case	Crankcase	accl.	Accelerator
Cyl	Cylinder	Comp.	Complete
o/s.	Over size	Fr	Front
Std.	Standard	L	Length
A/t.	Alternate	Rr	Rear
R.H.	Right hand	Hex.	Hexagonal
L.H.	Left hand	AR	As required

No.	Description	Page No.
1	Cover Cylinder Head	1
2	Cylinder Head	2
3	Valve	3
4	Camshaft / Tensioner	4
5	Cylinder & Piston	5
6	Crankshaft	6
7	Balancer & Balancer Idler Gear	7
8	Transmission	8&9
9	Change Drum/ Shift Fork	10
10	Gear Change Mechanism	11
11	Engine Assly & Crankcase RH	12
12	Crankcase LH	13&14
13	Cover RH	15&16
14	Cover Magneto	17
15	Clutch	18&19
16	Carburetor	20
17	Oil Coller Assly	21
18	Air Cleaner Comp.	22
19	Silencer Assly	23
20	Seat Assly. / Seat Lock	24
21	Oil Pump	25
22	Magneto/C.D.I./H.T.Coil	26&27
23	Starter Assly	28
24	Engine Mountings	29
25	Frame & Frame fitting	30
26	Swing Arm / Rear Shock Absorber	31
27	Rider Foot rest	32
28	Pillion Foot rest / Holder	33
29	Mudguard Front & Rear	34
30	Stand Assembly	35
31	Tyre/ Tube /Rim	36
32	Front Hub	37
33	Front Master Cylinder	38
34	Front Disc Brake	39
35	Rear Hub	40&41

No.	Description	Page No.
36	Rear Disc Brake	42
37	Rear Master Cylinder	43
38	Rear Caliper	44
39	Rear Brake Pedal	45
40	Handle Bar	46&47
41	Front Fork	48&49
42	Painted Parts & Decals (For S)	50-51
43	Painted Parts & Decals (Exl. S)	52-53
44	Cap Tank & Gauge Fuel	54
45	Fitting - Petrol Tank, Side Cover & Cover seat	55
46	Meter Assly.	56
47	Control Cables	57
48	Chain Case	58
49	Head Lamp & Fairing	59
50	Indicator Light Assly.	60
51	Fearing & Mounting	61&62
52	Tail Lamp Assly / Front & Rear No. Plate	63
53	Electrical Equipments	64&65
54	Tool Kit	66
55	Accessories / Grab Handle	67
	Kits List	68&70
	Amendment Sheet(Parts Added)	71
	Amendment Sheet(Parts Deleted)	72
	Part Index	73

<p>PLATE NO. : 1 COVER CYLINDER HEAD</p>	<p>PAGE NO.: 1</p>
	
<p>PLATE NO. : 3 VALVE</p>	<p>PAGE NO.: 3</p>
	
<p>PLATE NO. : 5 CYLINDER AND PISTON</p>	<p>PAGE NO.: 5</p>
	

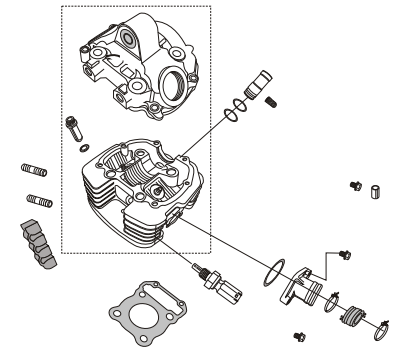
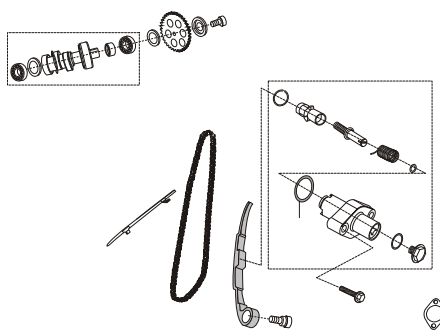
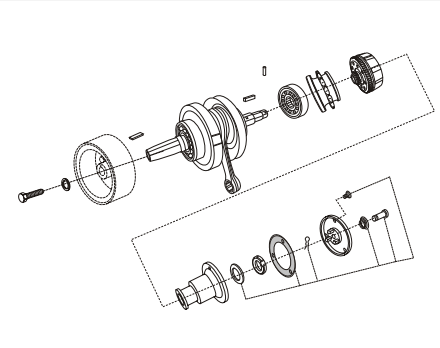
<p>PLATE NO. : 2 CYLINDER HEAD</p>	<p>PAGE NO.: 2</p>
	
<p>PLATE NO. : 4 CAMSHAFT / TENSIONER</p>	<p>PAGE NO.: 4</p>
	
<p>PLATE NO. : 6 CARNKSHAFT</p>	<p>PAGE NO.: 6</p>
	



PLATE NO. : 7  
BALANCER AND BALANCER  
IDLER GEAR

PAGE NO.:

7

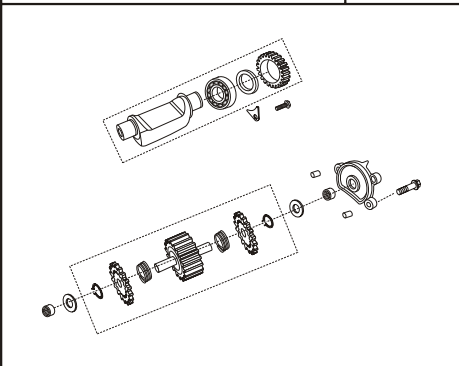


PLATE NO. : 9  
CHANGE DRUM / SHIFT FORK

PAGE NO.:

10

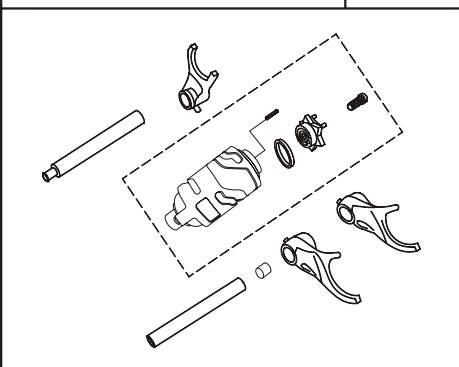


PLATE NO. : 11  
ENGINE ASSLY. & CRANKCASE RH

PAGE NO.:

12

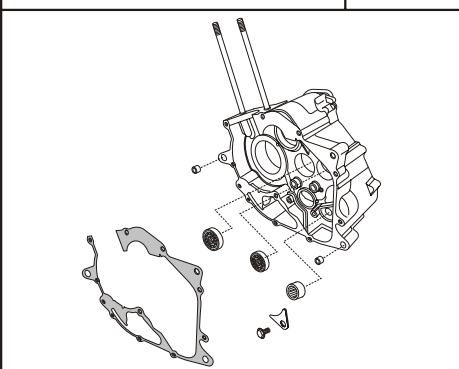


PLATE NO. : 8  
TRANSMISSION

PAGE NO.:

8 & 9

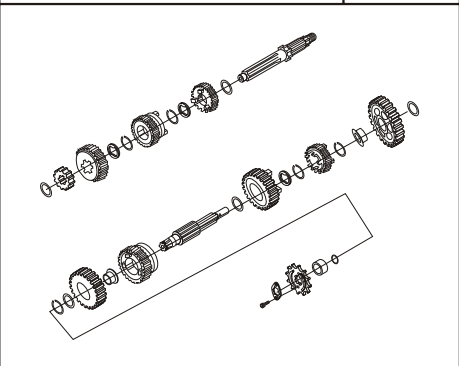


PLATE NO. : 10  
GEAR CHANGE MECHANISM

PAGE NO.:

11

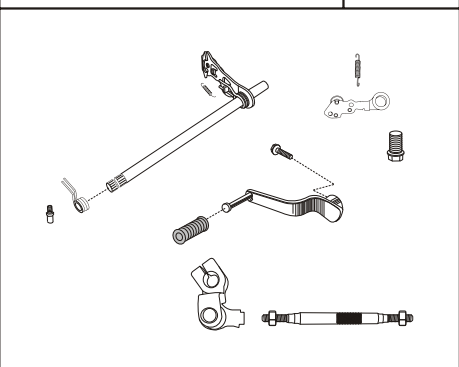


PLATE NO. : 12  
CRANKCASE LH

PAGE NO.:

13 & 14

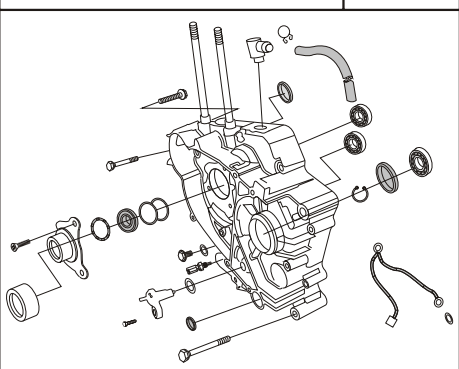


PLATE NO. : 13  
COVER RH

PAGE NO.:

15 & 16

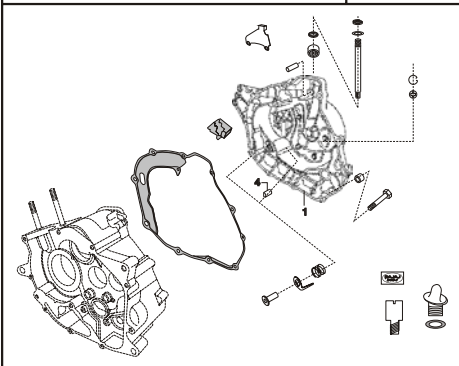


PLATE NO. : 15  
CLUTCH

PAGE NO.:

18 & 19

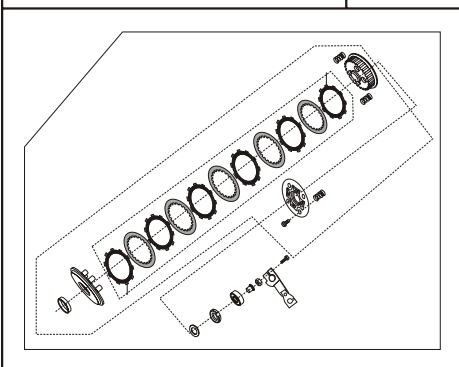


PLATE NO. : 17  
OIL COOLER ASSLY.

PAGE NO.:

21

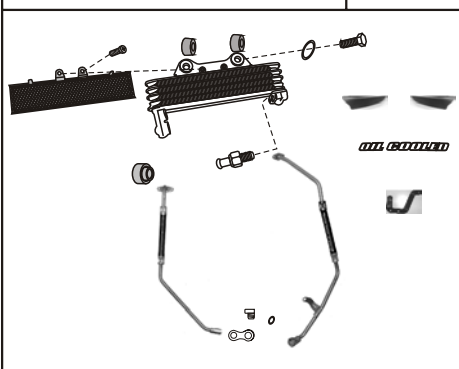


PLATE NO. : 14  
COVER MAGNETO

PAGE NO.:

17

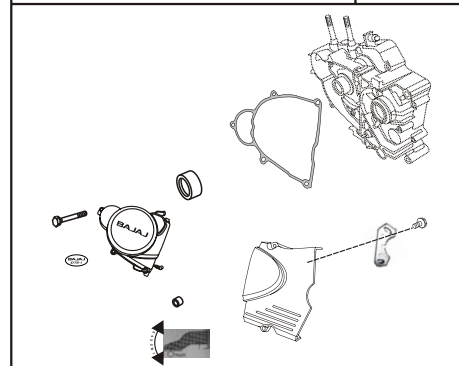


PLATE NO. : 16  
CARBURETTOR

PAGE NO.:

20

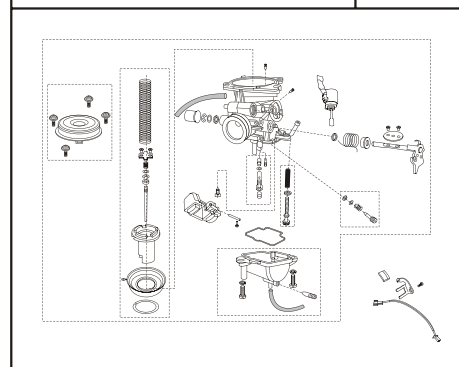


PLATE NO. : 18  
AIR CLEANER COMP.

PAGE NO.:

22

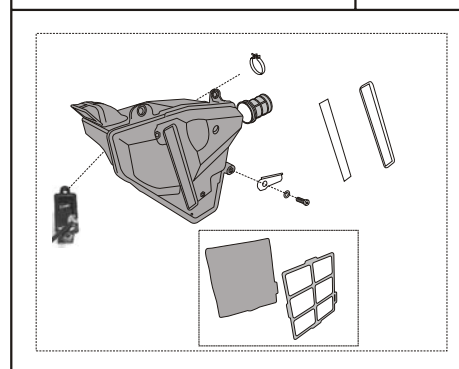


PLATE NO. : 19 SILENCER ASSLY.	PAGE NO.: 23
-----------------------------------	-----------------

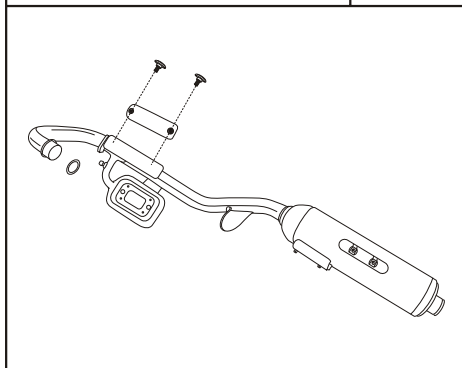


PLATE NO. : 21 OIL PUMP	PAGE NO.: 25
----------------------------	-----------------

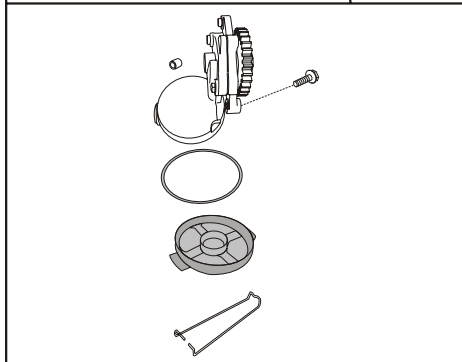


PLATE NO. : 23 STARTER ASSLY.	PAGE NO.: 28
----------------------------------	-----------------

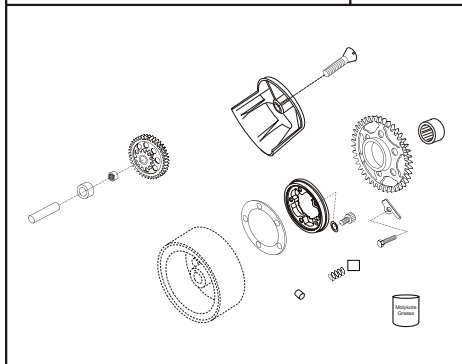


PLATE NO. : 20 SEAT ASSLY. / SEAT LOCK	PAGE NO.: 24
---	-----------------

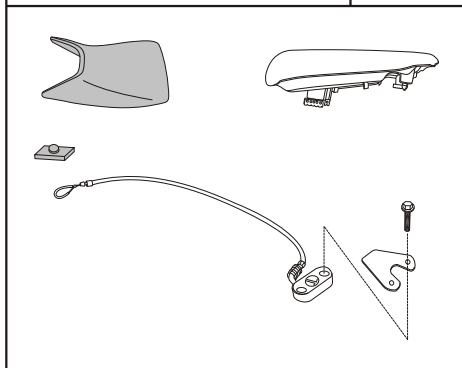


PLATE NO. : 22 MAGNETO / C.D.I./H.T. COIL	PAGE NO.: 26 & 27
--	----------------------

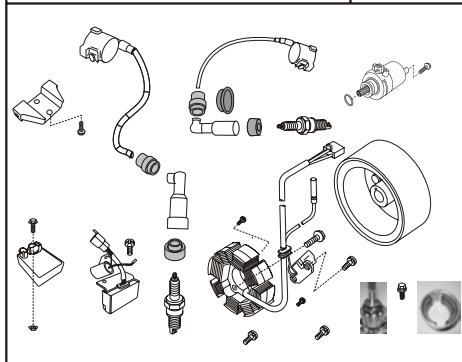


PLATE NO. : 24 ENGINE MOUNTINGS	PAGE NO.: 29
------------------------------------	-----------------

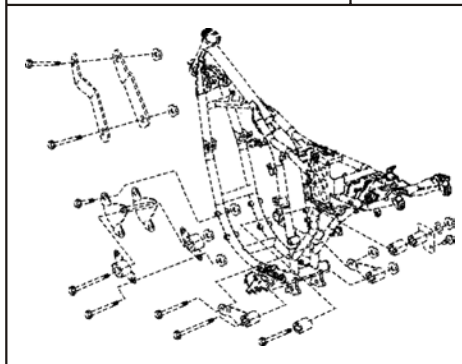


PLATE NO. : 25 FRAME & FRAME FITTINGS	PAGE NO.: 30
--	-----------------

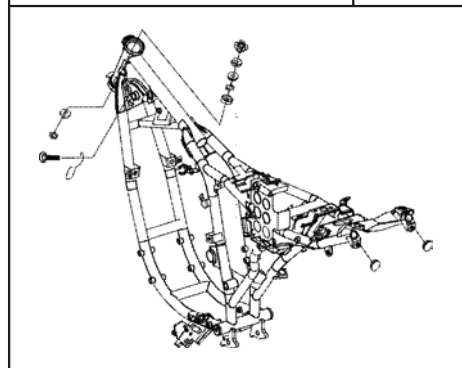


PLATE NO. : 27 RIDDER FOOT REST	PAGE NO.: 32
------------------------------------	-----------------

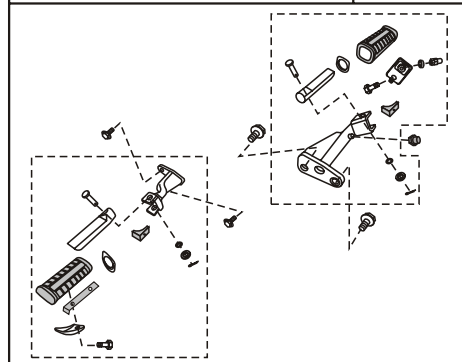


PLATE NO. : 29 MUDGUARD FRONT & REAR	PAGE NO.: 34
---	-----------------

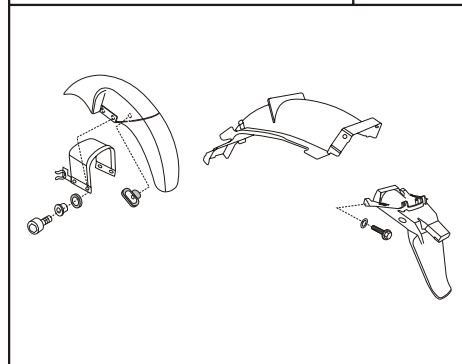


PLATE NO. : 26 SWING ARM / REAR SHOCK ABSORBER	PAGE NO.: 31
---	-----------------

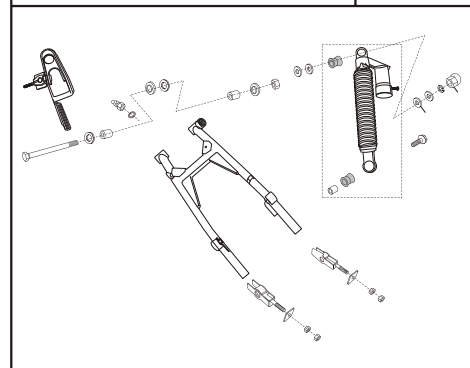


PLATE NO. : 28 PILLION FOOT REST / HOLDER	PAGE NO.: 33
--	-----------------

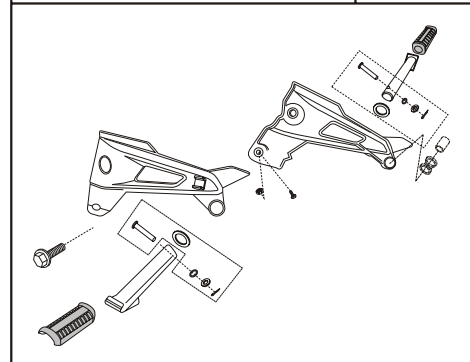


PLATE NO. : 30 STAND ASSEMBLY	PAGE NO.: 35
----------------------------------	-----------------

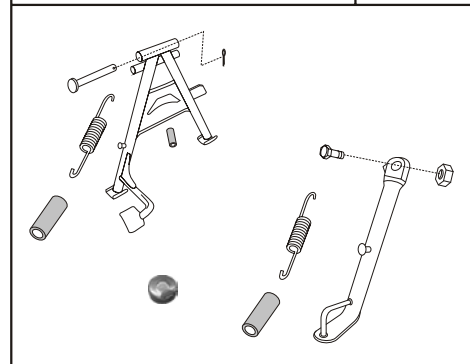



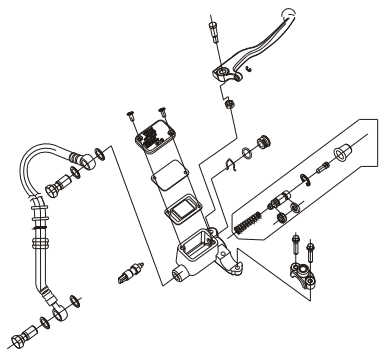
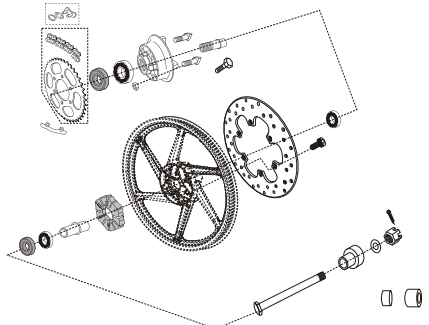
PLATE NO. : 31 TYRE / TUBE / RIM	PAGE NO.: 36
	
PLATE NO. : 33 FRONT MASTER CYLINDER	PAGE NO.: 38
	
PLATE NO. : 35 REAR HUB	PAGE NO.: 40-41
	

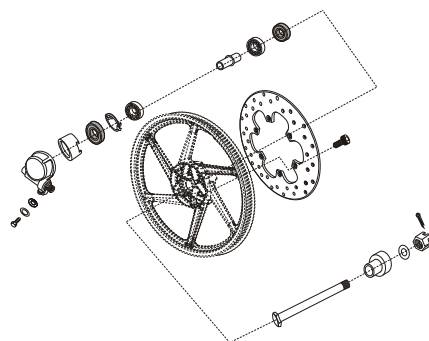
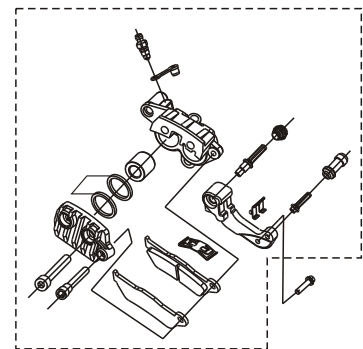
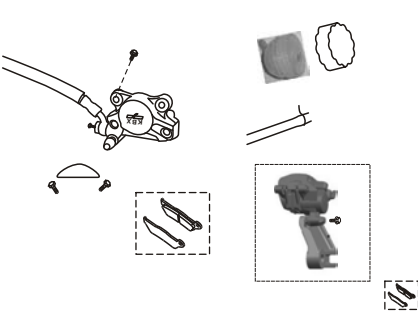
PLATE NO. : 32 FRONT HUB	PAGE NO.: 37
	
PLATE NO. : 34 FRONT DISC BRAKE	PAGE NO.: 39
	
PLATE NO. : 36 REAR DISC BRAKE	PAGE NO.: 42
	

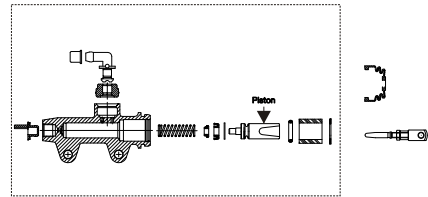
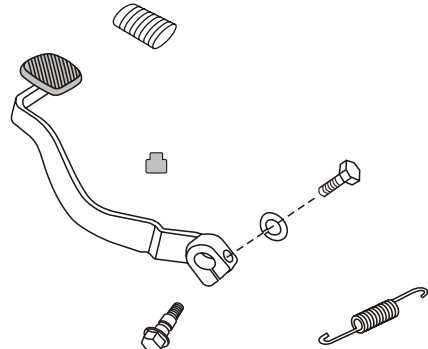
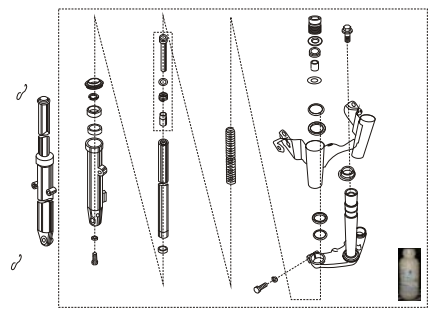
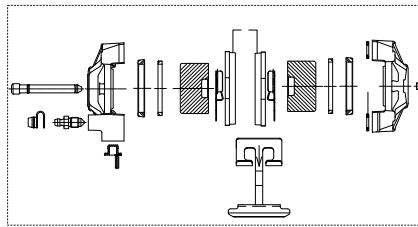
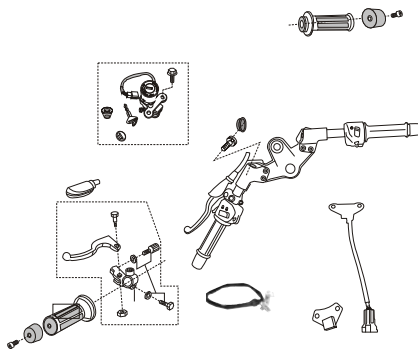
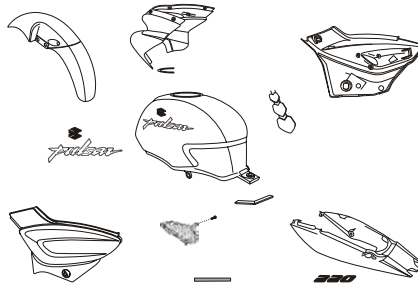
PLATE NO. : 37 REAR MASTER CYLINDER	PAGE NO.: 43
	
PLATE NO. : 39 REAR BRAKE PEDAL	PAGE NO.: 45
	
PLATE NO. : 41 FRONT FORK	PAGE NO.: 48 & 49
	

PLATE NO. : 38 REAR CALIPER	PAGE NO.: 44
	
PLATE NO. : 40 HANDLE BAR	PAGE NO.: 46 & 47
	
PLATE NO. : 42 PAINTED PARTS & DECALS (FOR F)	PAGE NO.: 50 - 52
	

PICTORIAL INDEX



PLATE NO. : 43  
CAP TANK AND GAUGE FUEL  
(EXCLUSIVE FOR S)

PAGE NO.:  
53

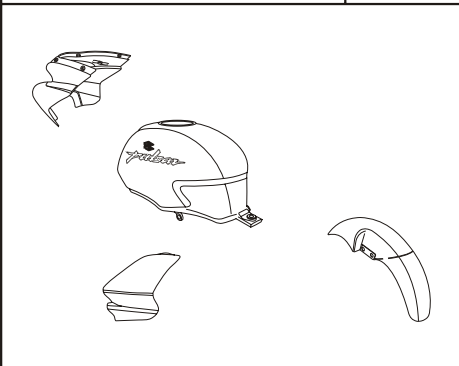


PLATE NO. : 45  
FITTING P. TANK, SIDE COVER &  
SEAT COVER

PAGE NO.:  
55

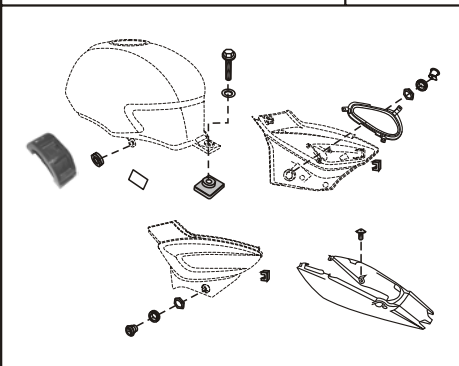


PLATE NO. : 47  
CONTROL CABLES

PAGE NO.:  
57

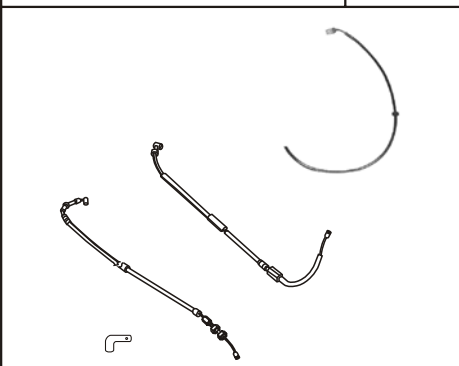


PLATE NO. : 44  
FITTING P. TANK, SIDE COVER AND  
COVER SEAT

PAGE NO.:  
54

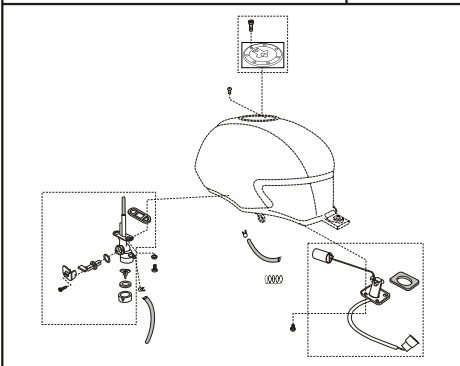


PLATE NO. : 46  
METER ASSEMBLY

PAGE NO.:  
56

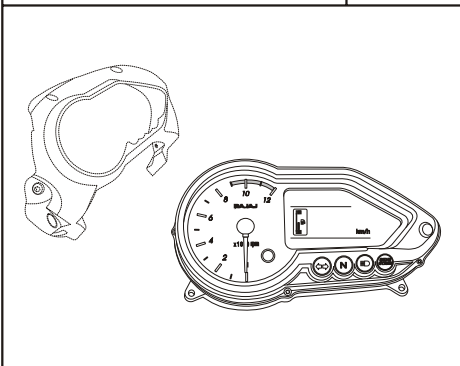
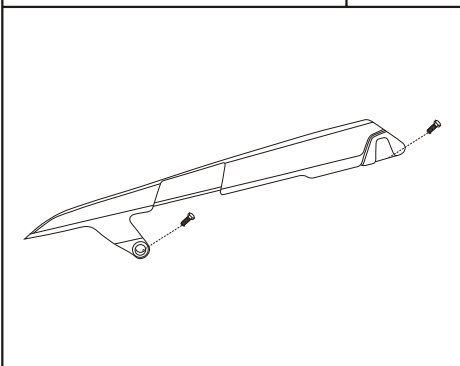


PLATE NO. : 48  
CHAIN COVER

PAGE NO.:  
58



PICTORIAL INDEX



PLATE NO. : 49  
HEAD LAMP & FAIRING

PAGE NO.:  
59

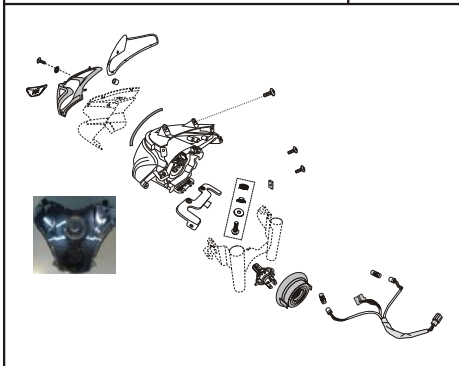


PLATE NO. : 51  
FAIRING & MOUNTING (FOR S/F ONLY)

PAGE NO.:  
61-62

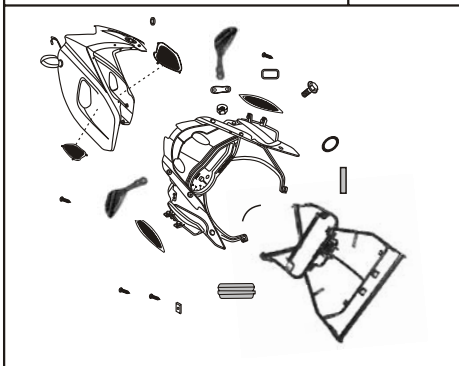


PLATE NO. : 53  
ELECTRICAL EQUIPMENTS

PAGE NO.:  
64-65

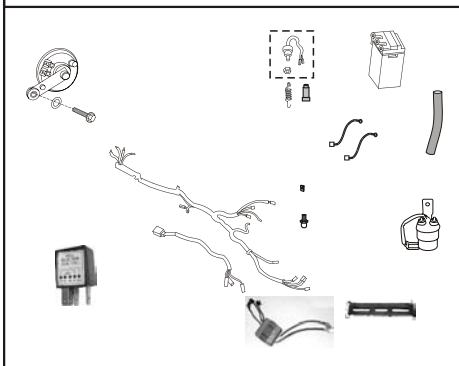


PLATE NO. : 50  
INDICATOR LIGHTS ASSLY.

PAGE NO.:  
60

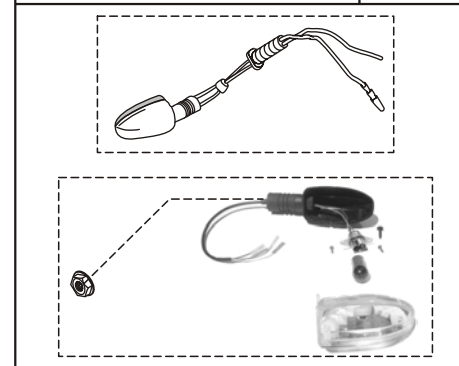


PLATE NO. : 52  
TAIL LAMP ASSEMBLY /  
FRONT & REAR NUMBER PLATE

PAGE NO.:  
63

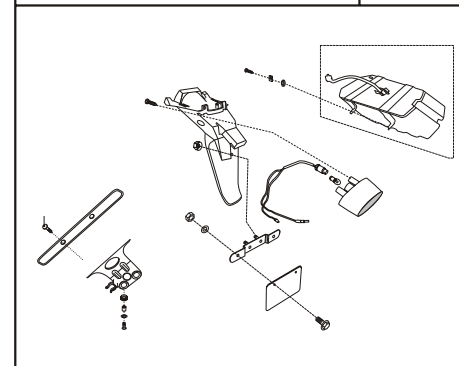


PLATE NO. : 54  
TOOL KIT

PAGE NO.:  
66

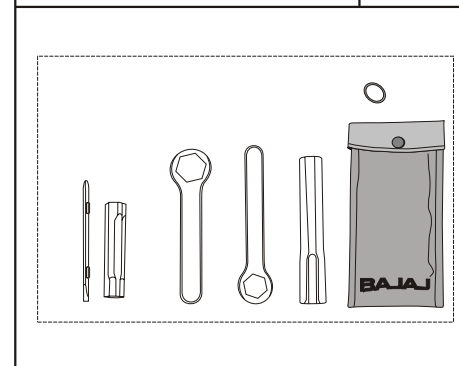
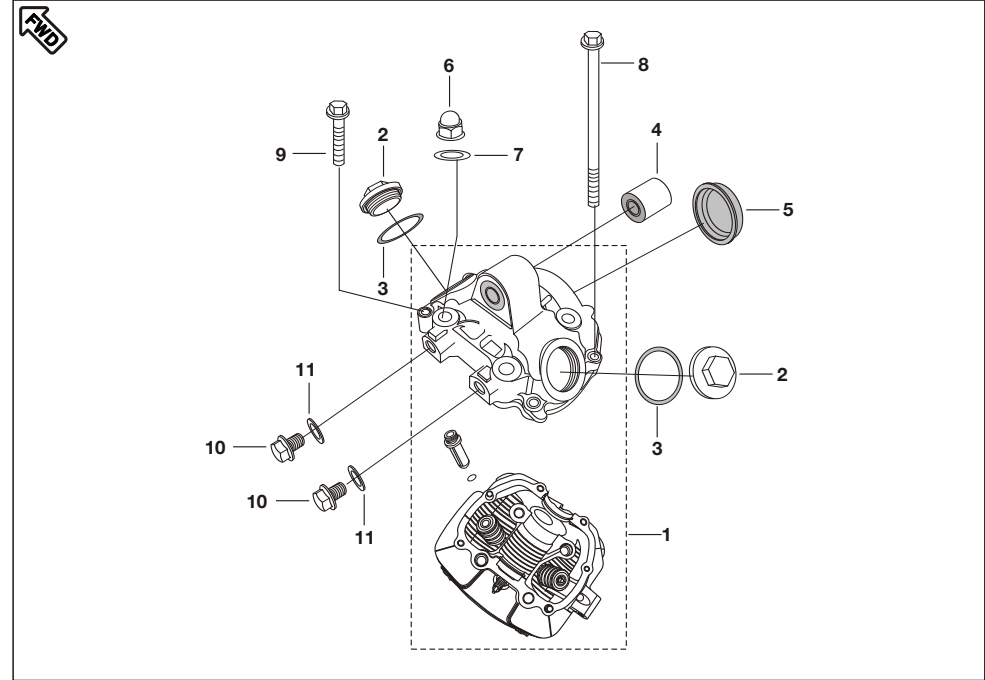
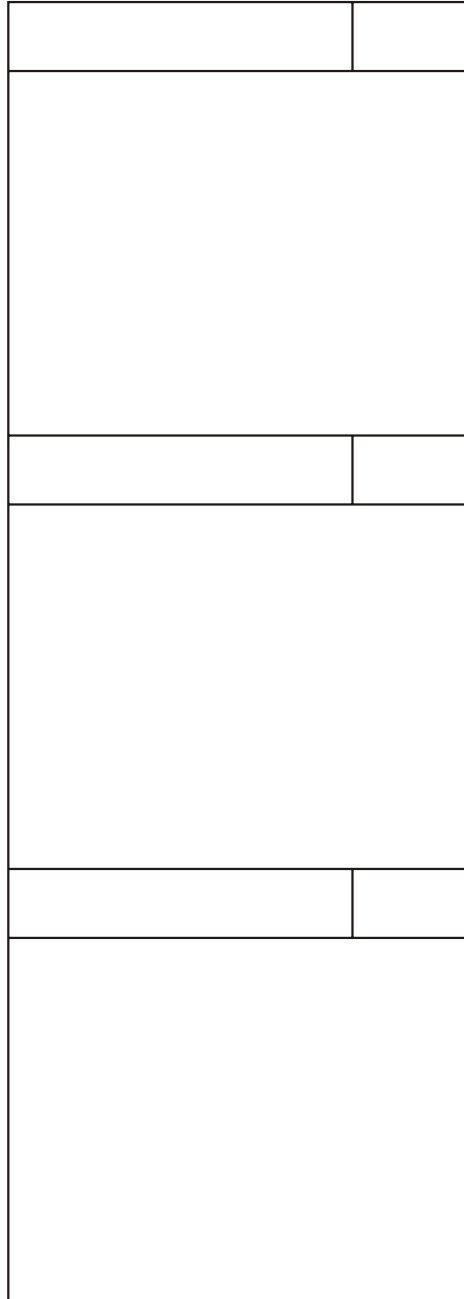
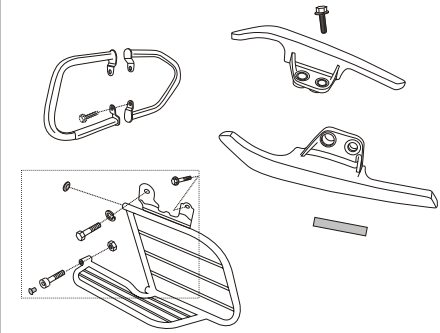
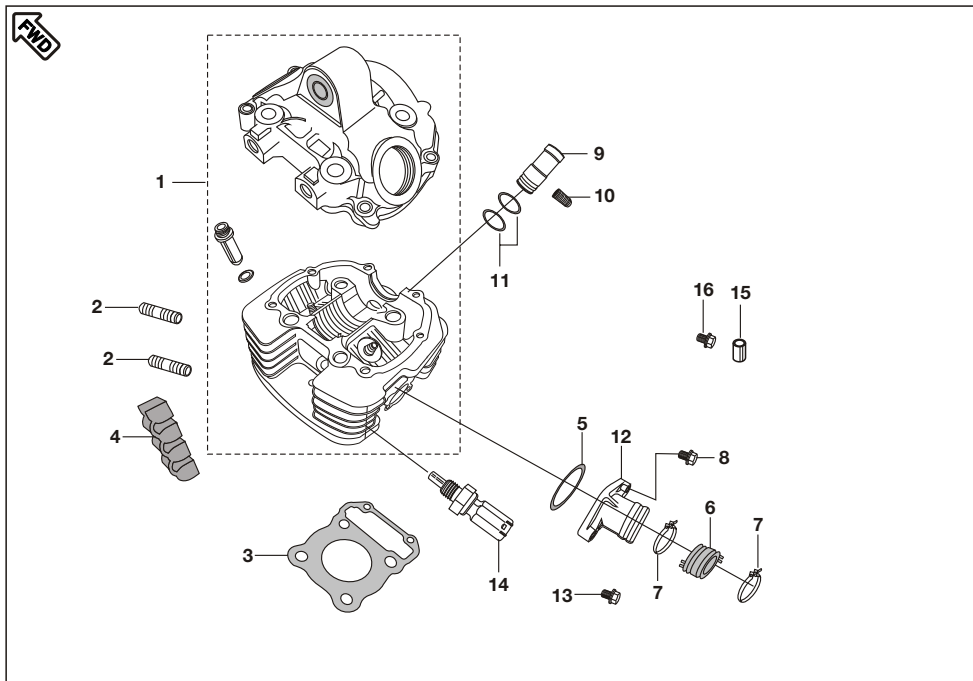


PLATE NO. : 55 ACCESSORIES / GRAB HANDLE	PAGE NO.: 67
---	-----------------

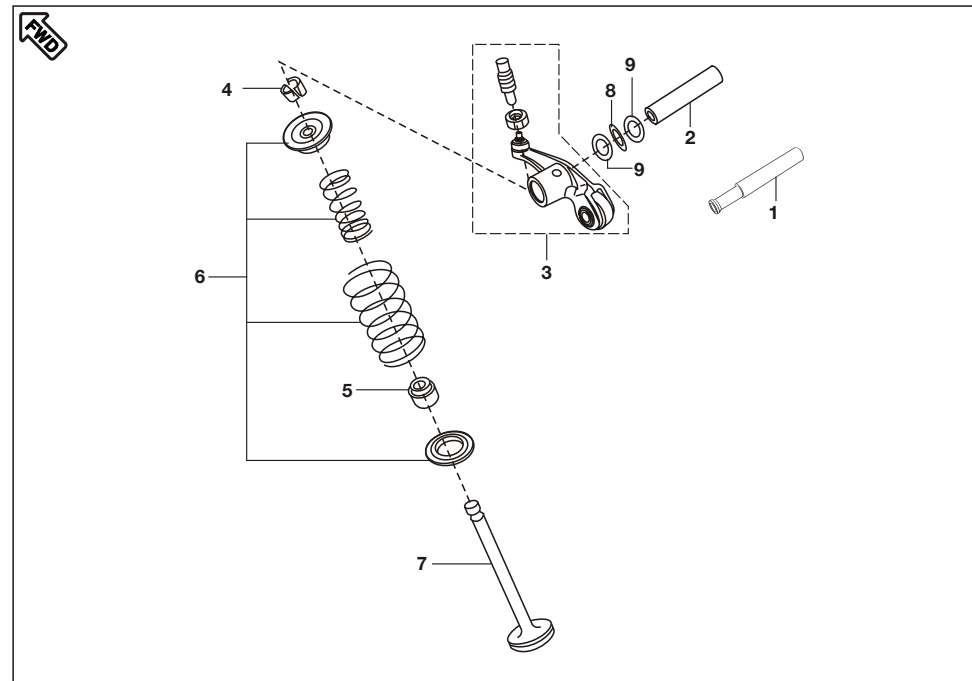


No.	Part No.	Description	Qty/ Veh.	Remarks
1	DK 1016 07	Head Cylinder with Cover	1	Ref. page no. 68
2	52 JN01 36	Cover Tappet	2	
3	36 DS10 01	Cyl. Head 'O' Ring Kit	1	
4	DS 1011 66	Silent Bush (V)	1	
5	DS 1010 96	Camshaft Cap	1	
6	39 2647 15	Domed Cap Nut	4	
7	DS 1010 84	Copper gasket	4	
8	59 0400 23	Hex. Bolt with Flange	2	
9	39 1075 04	Hex. Bolt with Flange	4	
10	DH 1012 72	Plug	2	
11	DG 1014 98	Gasket	2	

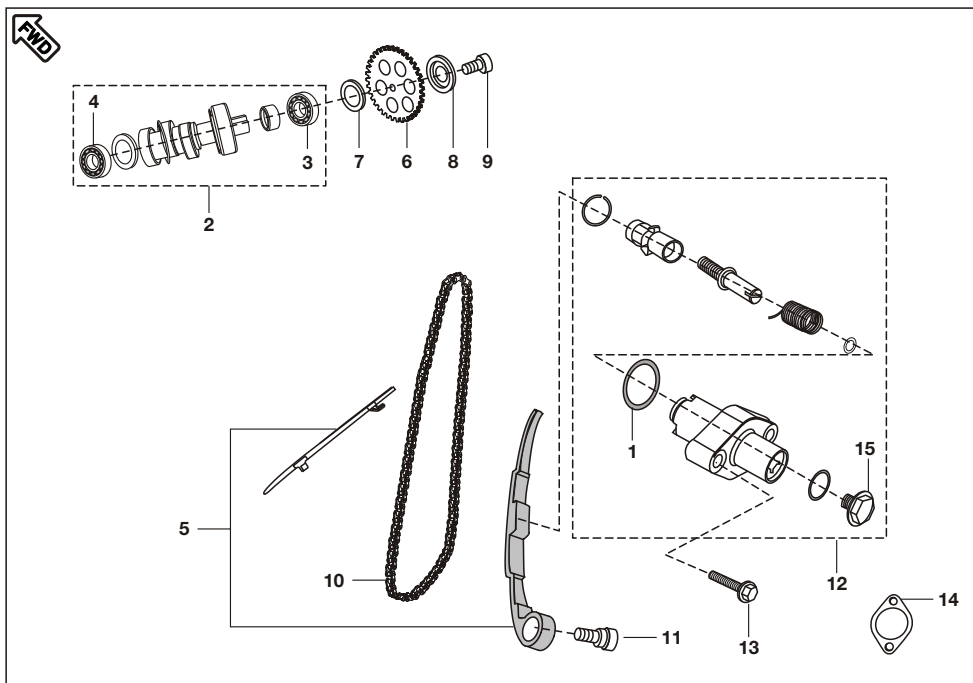




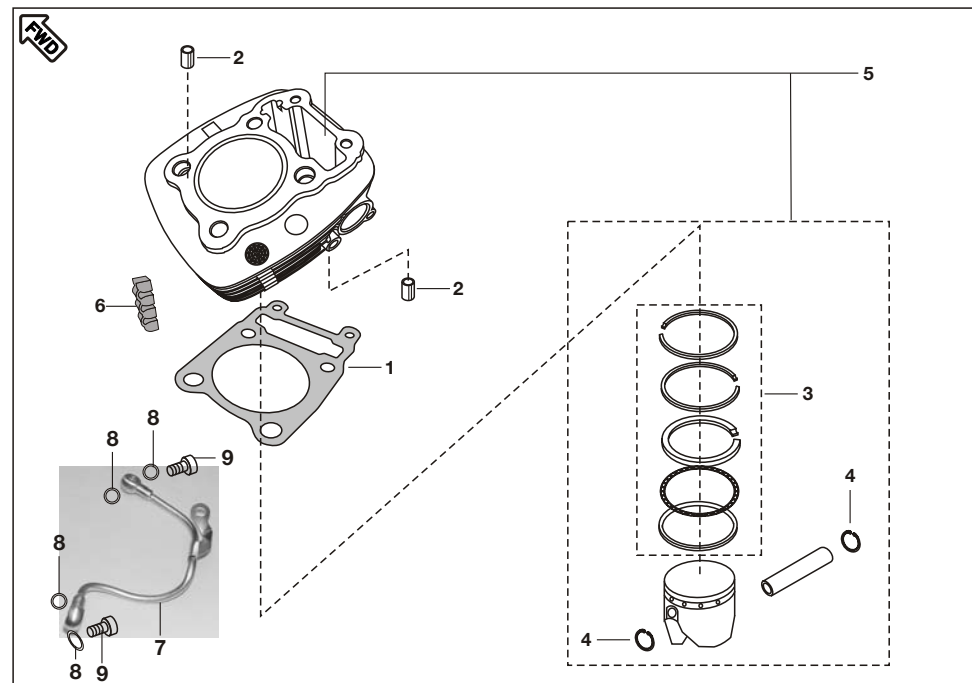
No.	Part No.	Description	Qty/ Veh.	Remarks
1	DK 1016 07	Head Cylinder with Cover	1	
	36 DK00 90	Head Cylinder with Cover	1	(W/o NRB) from Eng. BUF67894
2	59 0500 02	Stud (Exhaust)	2	
3	DK 1010 03	Gasket Cylinder Head	1	
4	DH 1015 08	Damper Cylinder Head	5	
5	39 1283 21	'O' Ring (Intake Pipe)	1	
6	JC 1200 18	Insulator	1	
7	DH 1210 38	Clamp for Insulator	2	
8	39 1674 04	Hex. Bolt / Flange	2	(F)
9	DH 1110 12	Sleeve - Spark Plug	1	
10	39 2608 01	Grub Screw	1	For Sleeve Spark Plug
11	36 DS10 01	Cyl. Head 'O' Ring Kit	1	Ref. page no. 68
12	JC 1200 17	Manifold	1	
13	39 1075 04	Hex bolt	1	
14	DK 1015 03	Engine temperature sensor	1	
15	39 2181 06	Dowel	2	
16	39 1759 04	Bolt	1	



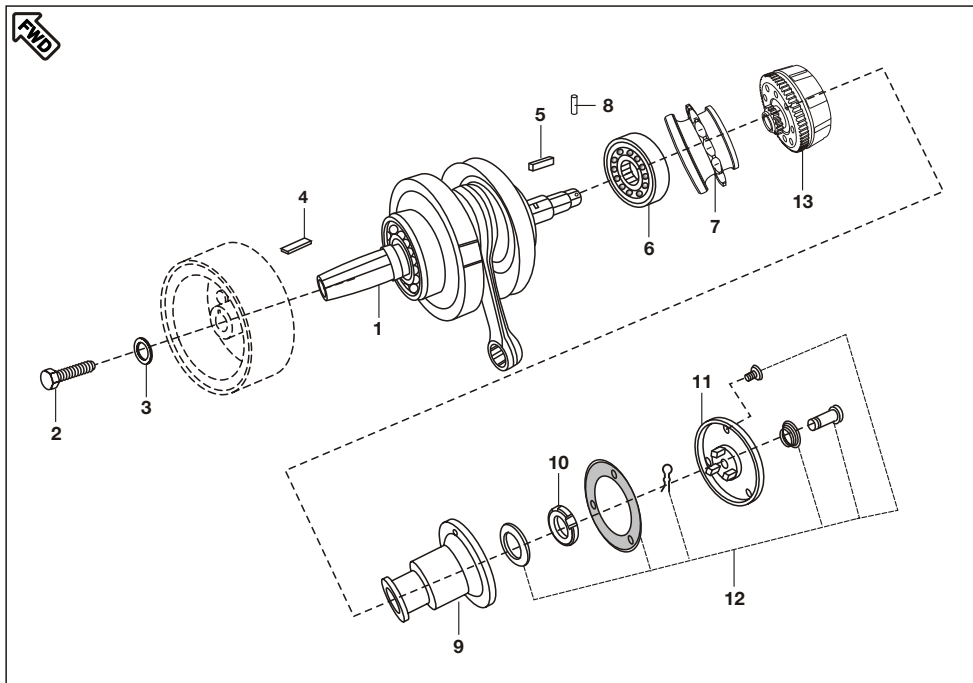
No.	Part No.	Description	Qty/ Veh.	Remarks
1	DS 1013 35	Rocker Arm Shaft - Intake	1	
	DK 1017 48	Rocker Arm Shaft - Intake	1	(W/o NRB) from Eng. BUF67894
2	DS 1013 36	Rocker Arm Shaft - Exhaust	1	
	DK 1017 51	Rocker Arm Shaft - Exhaust	1	(W/o NRB) from Eng. BUF67894
3	DS 1013 33	Rocker Arm with roller	2	
	DK 1017 55	Rocker Arm	2	(W/o NRB) from Eng. BUF67894
4	DG 1010 29	Collet	4	
5	39 2017 19	Seal valve stem	2	
6	DK 1013 26	Valve Repair Kit	1	Ref. page no. 68
7	DK 1013 27	Valve Kit (inlet + exhaust)	1	Ref. page no. 68
8	DS 1013 66	Wave washer	2	
	DH 1012 95	Wave washer	2	from Eng. BUF67894
9	59 1100 02	Plain washer	4	
	39 2440 11	Plain washer	4	from Eng. BUF67894



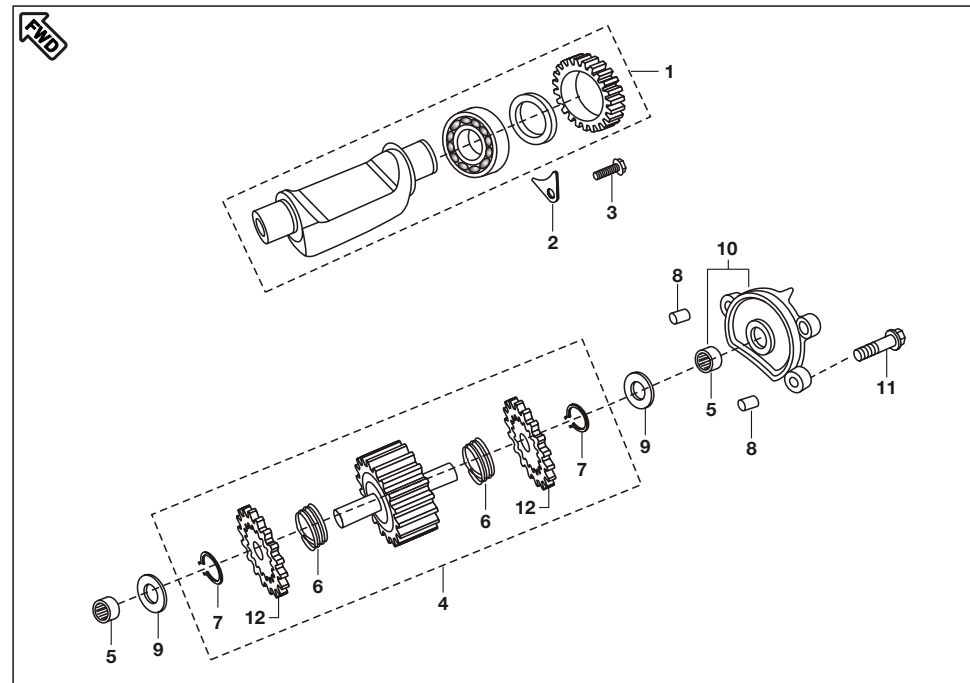
No.	Part No.	Description	Qty/ Veh.	Remarks
1	39 2669 21	Ring 'O'	1	
2	DK 1016 14	Camshaft Assembly	1	
3	JC 1010 86	Bearing cam RH side	1	
4	JC 1010 85	Bearing cam LH side	1	
5	DK 1013 30	Guide chain Kit	1	Ref. page no. 68
6	DS 1012 76	Sprocket cam Driven (32 T)	1	
7	DH 1014 12	Collar cam Sprocket	1	
8	DH 1010 48	Special camshaft washer	1	
9	DK 1013 86	Hex. Soc. Head cap Bolt	1	
10	DK 1010 64	Cam Chain (100 link)	1	
11	DH 1013 92	Cam chain Tensioner pivot Bolt	1	
12	JC 1010 34	Tensioner Assly	1	
13	39 1673 04	Hex Bolt / Flange	2	
14	CS 1011 28	Tensioner assly. gasket	1	
15	DD 1010 62	Bolt Flange	1	



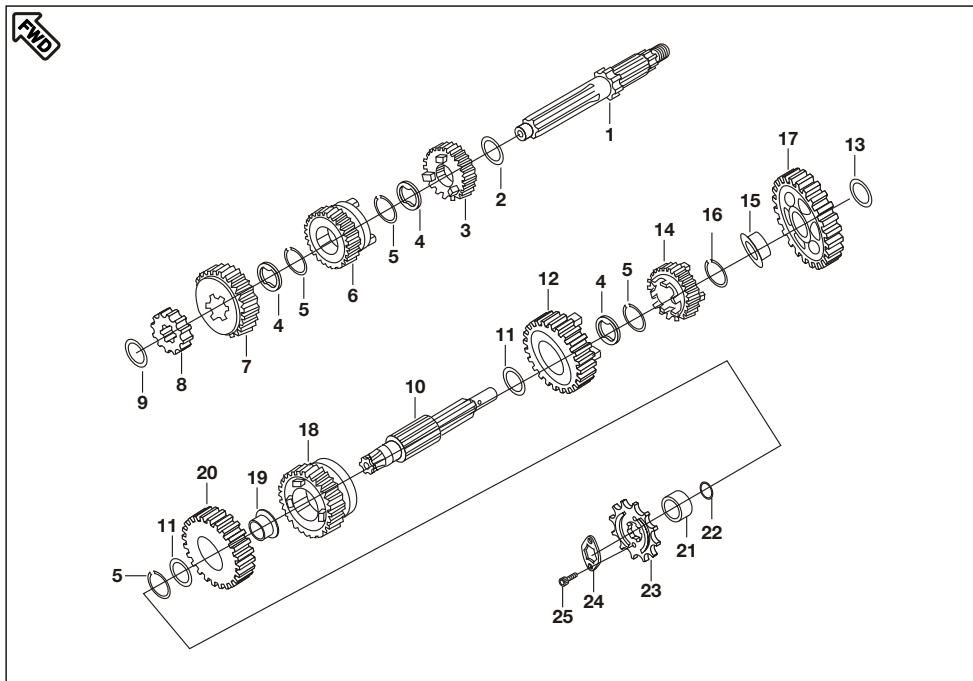
No.	Part No.	Description	Qty/ Veh.	Remarks
1	DK 1010 63	Gasket Cylinder	1	
2	39 2181 06	Pin dowel	4	
3	DK 1013 28	Ring Set Piston	1	Ref. page no. 68
4	39 2132 17	Ring Snap	2	
5	DK 1016 25	Cylinder Block / Piston Assly	1	
6	DH 1014 14	Damper	4	
7	DK 1015 92	Assembly Oil Pipe	1	
8	31 1210 06	Gasket	4	
9	DD 1210 07	Bolt	2	



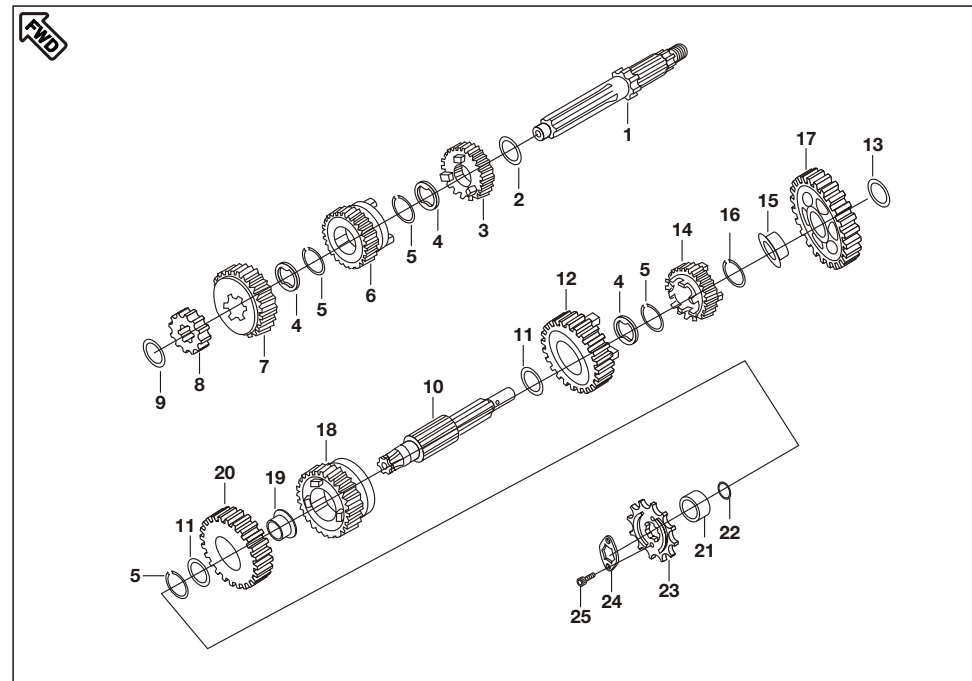
No.	Part No.	Description	Qty/ Veh.	Remarks
1	DK 1010 65	Crankshaft assly. comp.	1	
2	39 2183 04	Bolt primary drive lock	1	
3	39 2165 11	Plain washer	1	
4	31 1011 73	Key woodruff	1	
5	DS 1011 54	Square Key	1	
6	39 1931 20	Bearing Ball	1	
7	DK 101248	Sprocket cam drive (16 T)	1	
8	39 2203 07	Parallel pin	1	
9	DH 1010 64	Body centrifugal oil filter	1	
10	DH 1011 95	Nut	1	
11	DH 1010 65	Cover centrifugal oil filter	1	
12	36 DK00 07	Kit centrifugal oil filter	1	Ref. page no. 68
13	DK 1015 61	Housing comp. clutch	1	



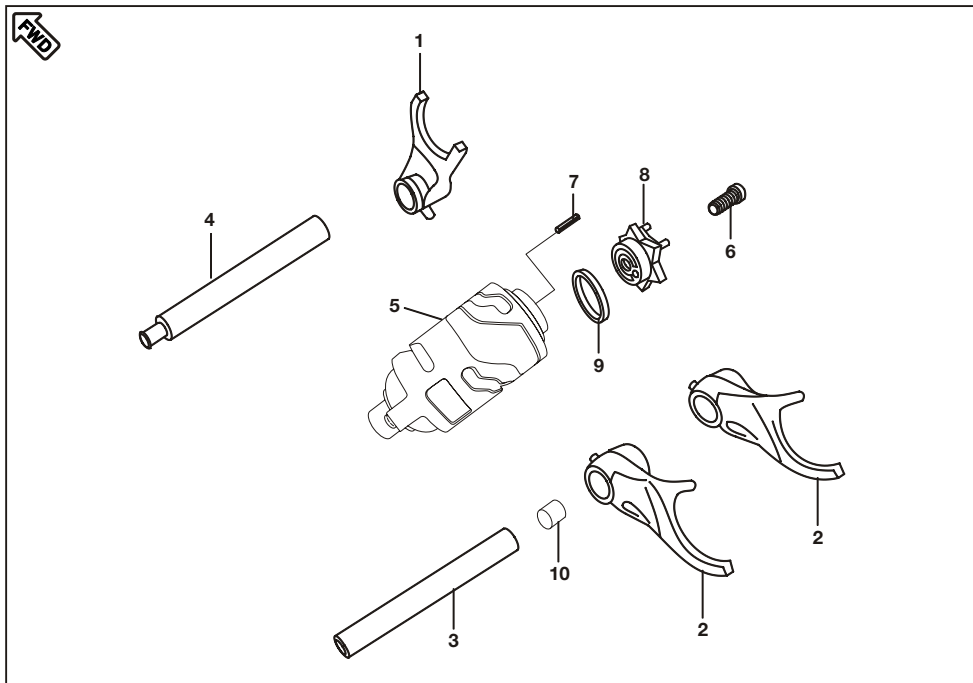
No.	Part No.	Description	Qty/ Veh.	Remarks
1	DK 1014 16	Body Balancer Assly.	1	
2	DH 1010 72	Bearing stopper	1	
3	39 1672 04	Bolt	1	
4	DH 1014 32	Assly. Balancer Idler Gear comp.	1	
5	39 2152 20	Needle roller bearing	2	
6	DH 1014 24	Spring torsion Balancer Idler	2	
7	39 2557 17	Circlip ext.	2	
8	39 1686 06	Dowel Pin	2	
9	39 1620 11	Spring steel washer	2	
10	52 DH01 77	Balancer Idler Holder	1	
11	39 1674 04	Hex bolt with flange	3	
12	DH 1013 73	Scissor balancer idler	2	



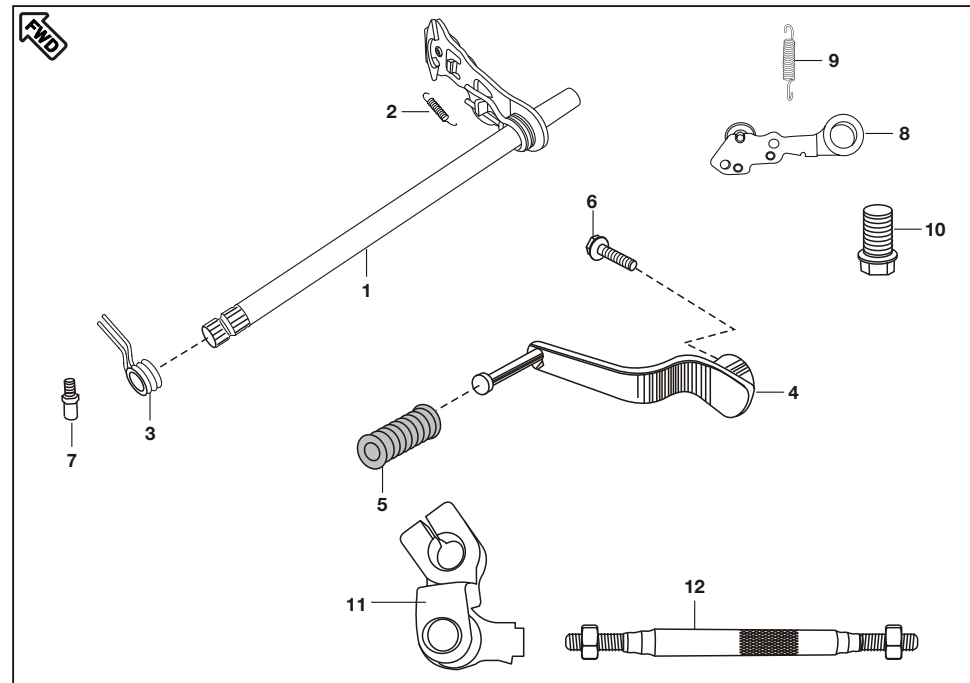
No.	Part No.	Description	Qty/ Veh.	Remarks
1	DK 1014 71	Shaft input transmission	1	
2	39 2158 11	Washer plain	2	
3	DK 1011 03	Gear 4th Drive	1	
4	DH 1010 79	Washer Spline	3	
5	DH 1012 35	External Circlip	4	
6	DK 1011 02	Gear 3rd Drive	1	
7	DK 1016 32	Gear 5th drive	1	
8	DH 1010 84	Gear 2nd drive	1	
9	39 2160 11	Plain washer	1	
10	DK 1011 44	Shaft output transmission	1	
11	39 2166 11	Washer Thrust	2	
12	DK 1011 05	Gear 3rd Driven	1	
13	DH 1010 79	Washer spline	2	
14	DK 1011 06	Gear 4th Driven	1	
	DK 1017 18	Gear 4th Driven	1	From Eng. No. BUC38650 Ref. Cir. D-41
15	DH 1011 11	Bush 1st driven	1	



No.	Part No.	Description	Qty/ Veh.	Remarks
16	DH 1012 35	Circlip	1	
17	DK 1011 18	Gear 1st driven	1	
	DK 1017 17	Gear 1st driven	1	From Eng. No. BUC38650 Ref. Cir. D-41
18	DK 1016 33	Gear 5th Driven	1	
	DK 1017 20	Gear 5th Driven	1	From Eng. No. BUC38650 Ref. Cir. D-41
19	DH 1013 19	Bush 2nd driven	1	
20	DH 1013 33	Gear 2nd Driven	1	
	DK 1017 19	Gear 2nd Driven	1	From Eng. No. BUC38650 Ref. Cir. D-41
21	DK 1012 45	Collar Sprocket	1	
22	DK 1013 52	'O' Ring Sprocket Collar	1	
23	DV 1010 48	Sprocket Drive	1	
24	DJ 1010 63	Plate Drive Sprocket	1	
25	DJ 1013 00	Bolt flange	2	For Crankcase with circlip

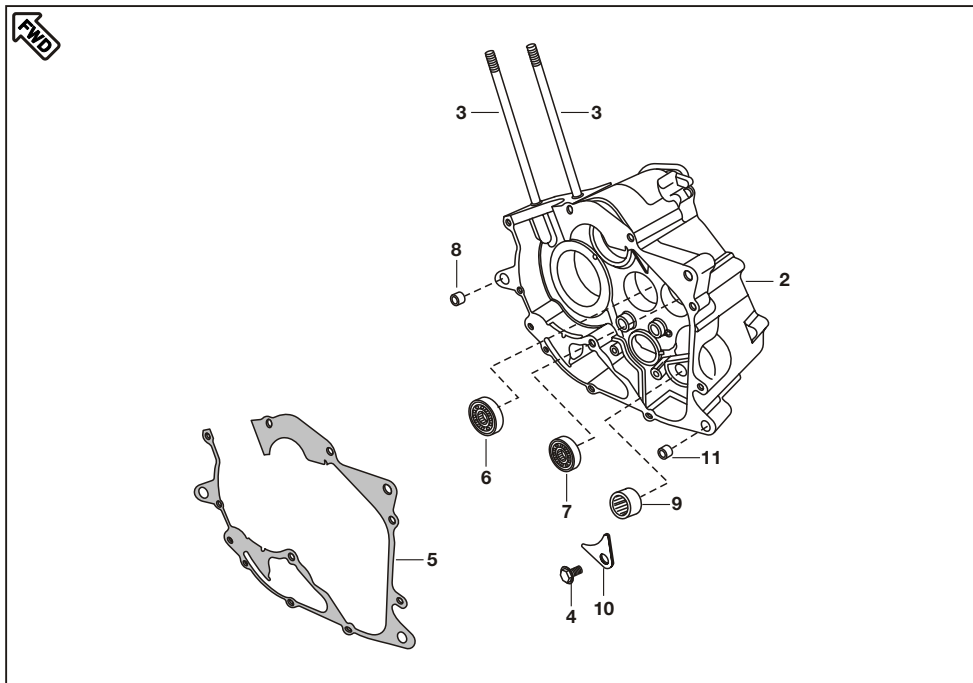


No.	Part No.	Description	Qty/ Veh.	Remarks
1	DK 1011 59	Fork Gear Shift Input	1	
2	DK 1011 60	Fork Gear Shift output	2	
3	DH 1011 46	Shaft Gear Shift Fork	1	
4	DH 1014 93	Shaft Gear Shift Fork	1	
5	DK 1013 82	Drum comp. Gear Shift	1	
	DK 1017 32	Drum comp. Gear Shift	1	From Eng. No. BUC38650 Ref. Cir. D-41
6	39 1197 04	Bolt Socket	1	
7	39 2606 07	Parallel pin	1	
8	DK 1013 61	Guide Gear Shifter	1	
9	DH 1014 96	Spacer	1	
10	DK 1011 35	Bush Fork Gear Shift	1	

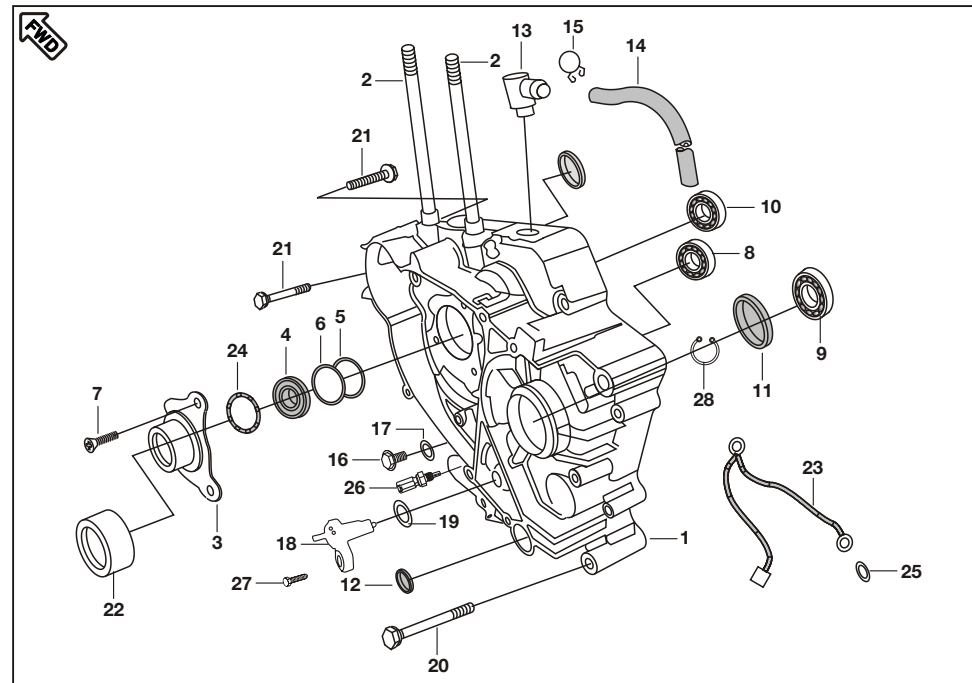


No.	Part No.	Description	Qty/ Veh.	Remarks
1	DK 1017 33	Lever comp. Gear Shifter	1	
2	DH 1011 43	Spring Slider Arm Reset	1	
3	DH 1011 44	Spring Gear Shifter Return	1	
4	DK 1011 82	Lever gear shift	1	
5	31 1011 08	Damper	1	
6	39 1902 04	Flanged Bolt	1	
7	DH 1013 93	Bolt Gear Shift drum Stopper	1	
8	DK 1017 25	Stopper Gear Shifter Drum	1	
9	DK 1012 53	Spring Gear Shifter Drum Stopper	1	
10	DH 1013 94	Bolt Shift Change	1	
11	DK 1011 77	Lever change arm	1	
12	DK 1011 80	Tie rod	1	

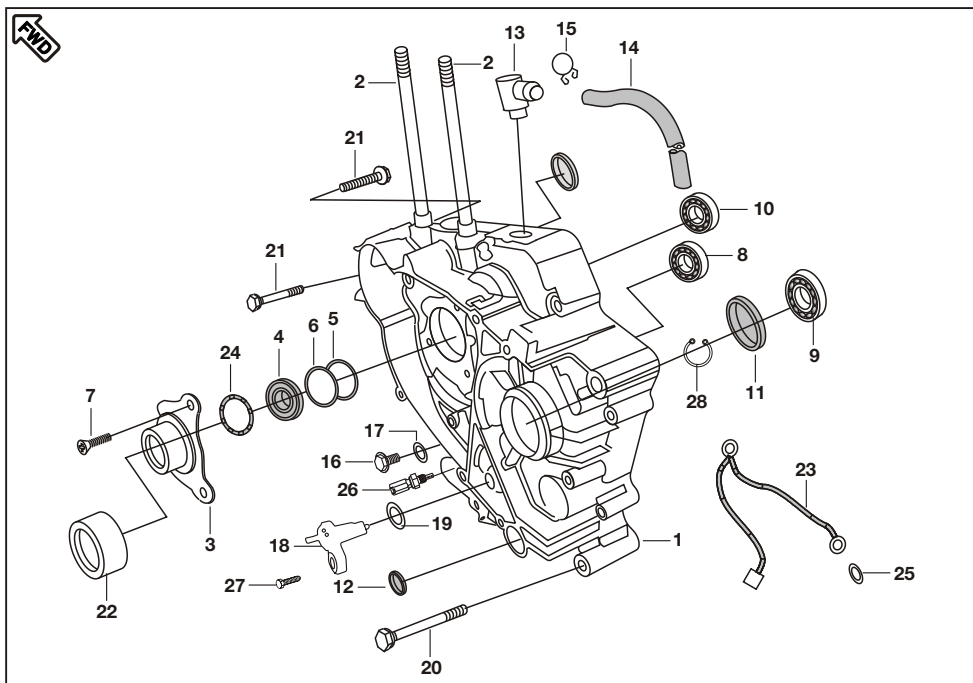




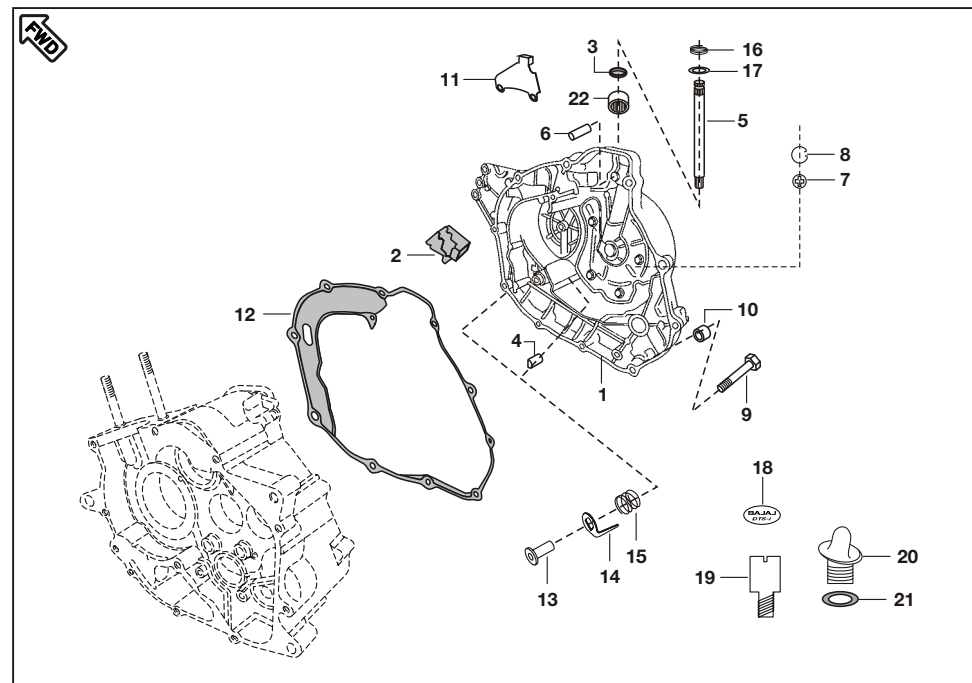
No.	Part No.	Description	Qty/ Veh.	Remarks
1	DK 1016 13	Engine Assly. with starter motor	1	N I
2	JC 1010 29	Crankcase RH	1	
3	59 0500 02	Stud	2	
4	DJ 1013 02	Bolt Flanged	1	
5	DH 1018 96	Gasket Crankcase	1	
6	39 2583 20	Bearing Ball (For Input shaft)	1	
7	59 2000 27	Bearing Ball (For Output shaft)	1	
8	39 2180 06	Dowel Pin	2	
9	39 2601 20	Needle Roller Bearing	1	(For Dr. Comp. Gear Shift)
10	DH 1014 87	Plate Stopper	1	
11	39 2181 06	Dowel Pin	2	



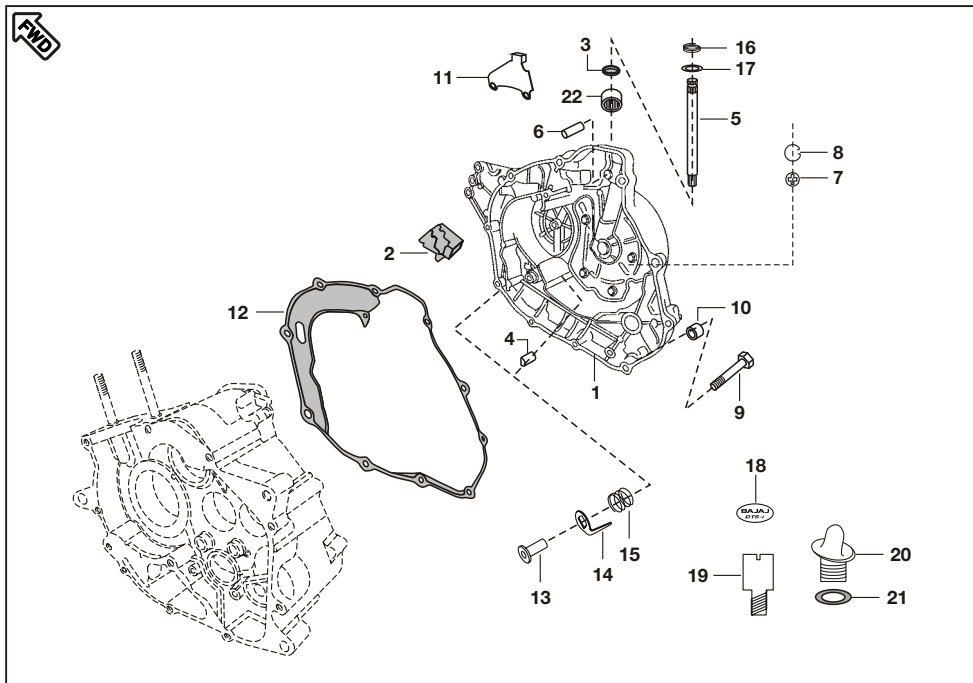
No.	Part No.	Description	Qty/ Veh.	Remarks
1	DK 1015 81	Crankcase LH	1	with banjo
2	59 0500 02	Stud	2	
3	DK 1010 94	Guide starter assly	1	
4	39 2188 19	Oil Seal	1	
5	59 2100 06	'O' Ring	1	
6	DK 1010 97	Damper	1	
7	39 0752 01	'C' Sunk Head Screw	3	
8	39 2603 20	Bearing Ball (For Input shaft)	1	
9	59 2000 06	Bearing Ball (For Output shaft)	1	
10	39 2185 20	Bearing Balancer LH	1	
11	39 2189 19	Oil Seal (For Output shaft)	1	
12	39 2190 19	Oil Seal (For Shift lever)	1	
13	DH 1012 03	Breather	1	
14	DH 1012 46	Rubber tube	1	
15	28 1011 74	Spring Clip	1	



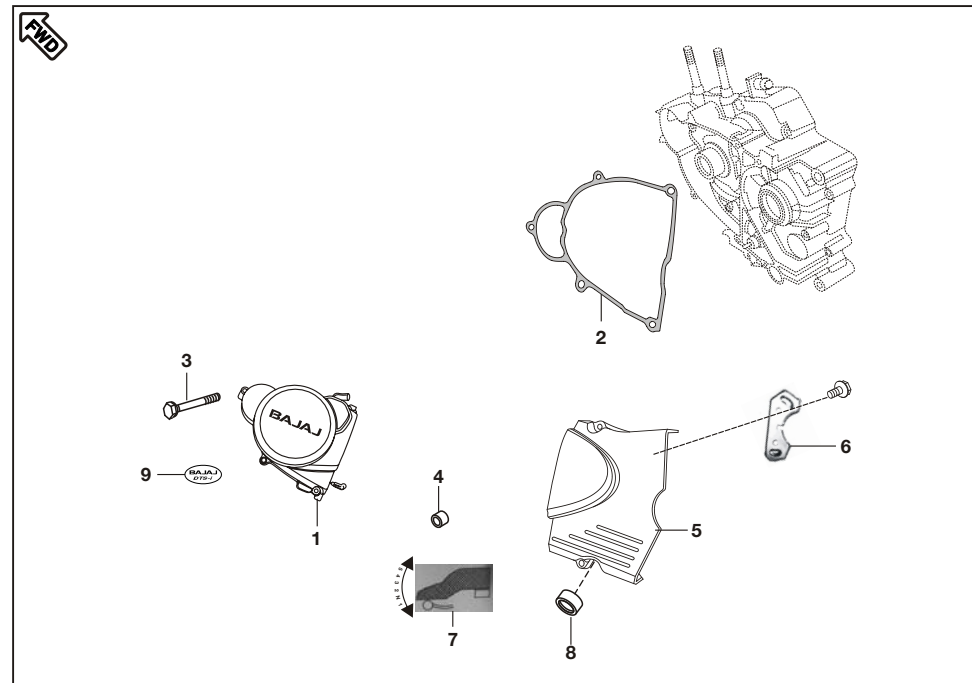
No.	Part No.	Description	Qty/ Veh.	Remarks
16	DH 1016 61	Plug (Drain Bolt)	1	
17	DG 1014 98	Gasket (For Drain Bolt)	1	
18	DK 1013 80	Switch comp. (Neutral)	1	
19	39 1013 21	'O' ring	1	
20	39 1677 04	Bolt	8	
21	DH 1013 90	Bolt	1	
22	59 2000 07	Needle Roller Bearing	1	
23	DJ 2011 40	Cable assly. (Battery to Earth)	1	
24	39 2448 11	Plain Washer	1	
25	39 0849 14	Toothed Washer	1	
26	DK 1015 77	Thermal Sensor with AL gasket	1	
27	39 1672 04	Flange Bolt	1	For Plastic neutral switch
28	KE BA37 15	Circlip (May 10)	1	For DKGBTB 50638



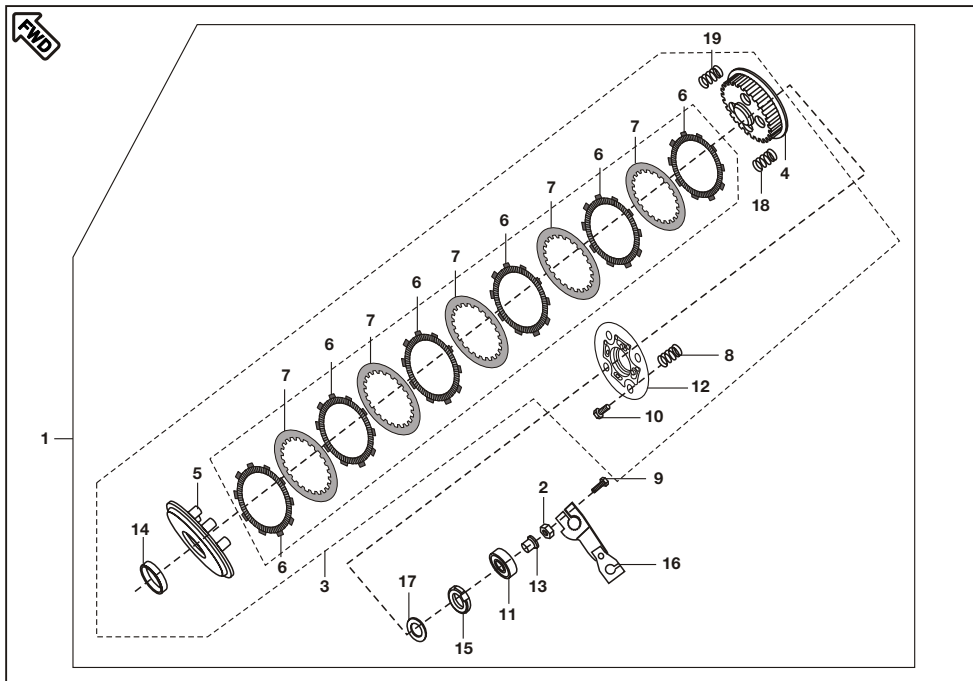
No.	Part No.	Description	Qty/ Veh.	Remarks
1	36 DK00 64	Cover comp RH Flower type	1	Black Color
	52 DK02 04	Cover comp RH Flower type	1	Moon Light Silver
2	DH 1011 97	Grommet Breather	1	
3	39 1041 19	Seal clutch lever	1	
4	DH 1011 41	Rack	1	
5	DH 1011 42	Shaft clutch release	1	
6	DK 1012 51	Parallel pin	1	
7	DG 1014 18	Gauge	1	
8	DS 1012 15	Wire circlip	1	
9	DS 1013 53	Bolt	10	
10	39 0999 06	Pin Dowel	2	
11	DK 1012 52	Bracket Clutch Cable	1	
12	DH 1011 54	Gasket cover RH	1	
13	DK 1014 80	Plunger Oil	1	
14	DH 1210 11	Plate Plunger Oil	1	
15	DH 1210 12	Spring Joint 'A'	1	



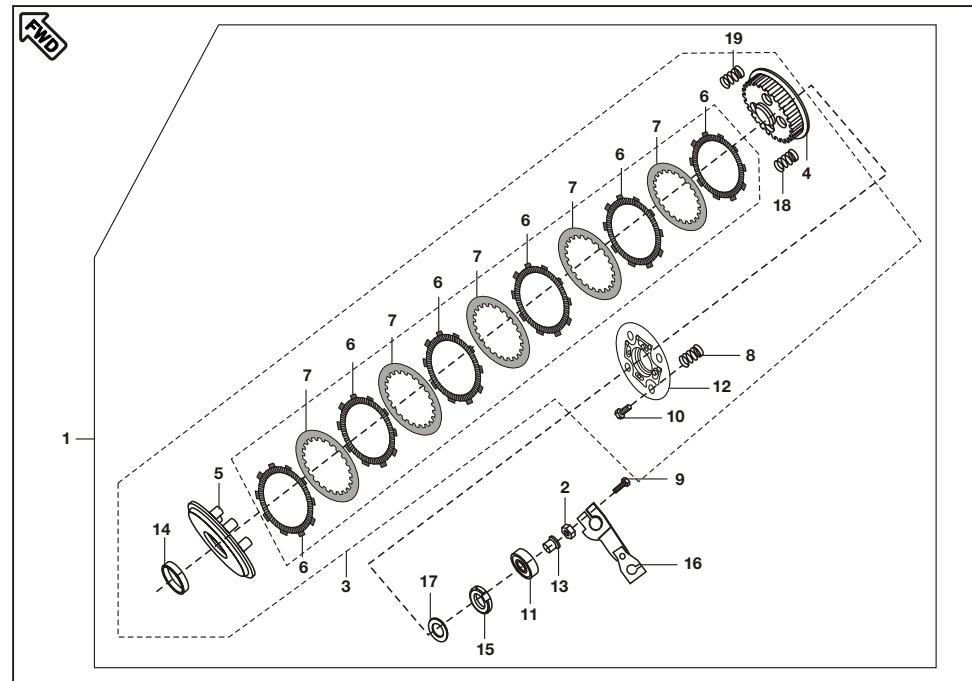
No.	Part No.	Description	Qty/ Veh.	Remarks
16	DH 1015 44	Spring Torsion clutch lever	1	
17	39 2443 11	Washer	1	
18	DK 1017 38	Decal clutch cover	1	
19	DK 1014 69	Assembly Relief Valve Complete	1	
20	DS 1010 71	Cap Oil Filler	1	
21	DH 1011 52	'O' ring	1	
22	39 1990 20	Needle Roller Bearing	2	



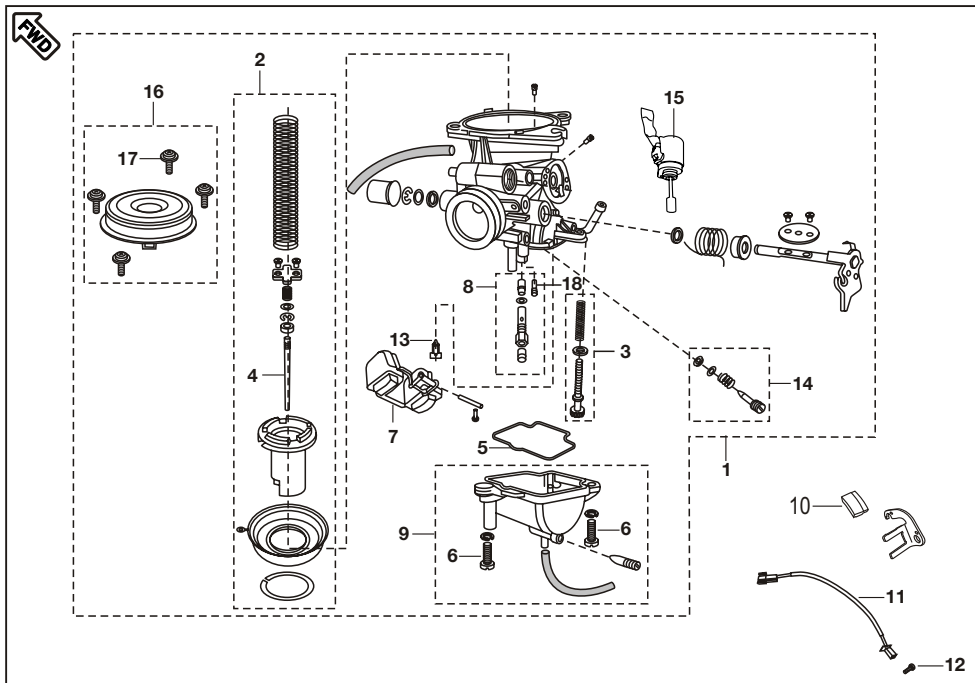
No.	Part No.	Description	Qty/ Veh.	Remarks
1	52 DH06 24	Cover Magneto Flower Type	1	Black Color (220 SF)
	52 DK01 72	Cover Magneto Flower Type	1	Black Color (220 F)
	52 DH06 86	Cover Magneto Flower Type	1	Moon Light Silver (220 SF)
	52 DK02 03	Cover Magneto Flower Type	1	Moon Light Silver (220 F)
2	DV 1010 42	Gasket Magneto cover	1	
3	DS 1013 53	Bolt	5	
4	39 0999 06	Pin Dowel	2	
5	JC 1010 33	Cover LH Rear	1	
	DK 1017 62	Cover LH Rear	1	Moon Light Silver 220 F/SF
6	DH 1012 93	Plate Damper Cover LH Rear	1	
7	DJ 1612 28	Gear Shift Label	1	
8	AP 1010 43	Needle Roller Bearing	1	
9	JE 5412 12	Decal DTS-i Magneto	1	



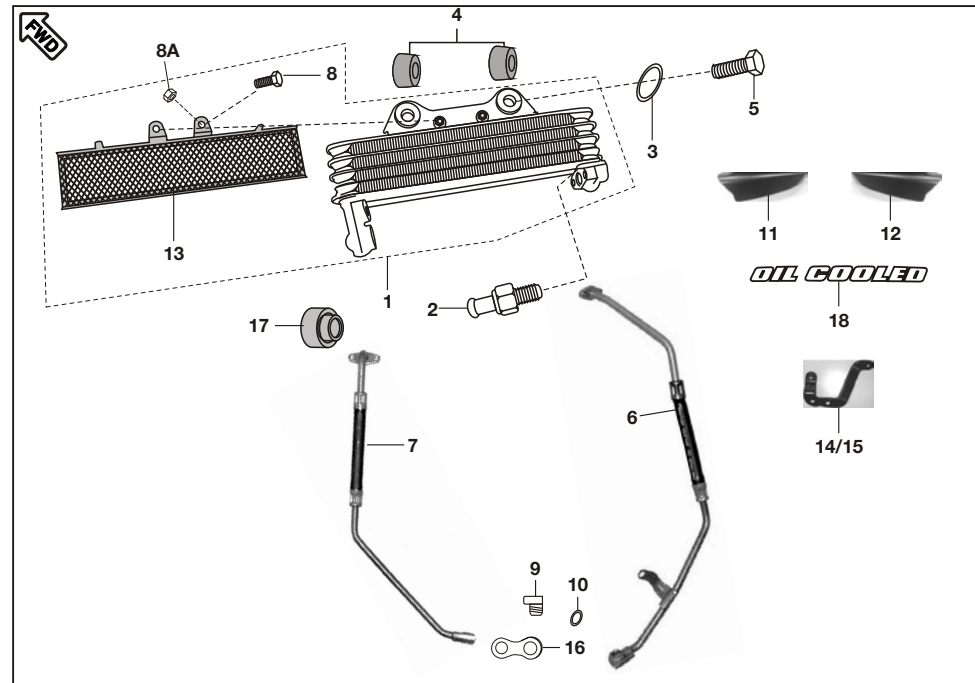
No.	Part No.	Description	Qty/ Veh.	Remarks
1	DK 1015 60	Clutch assembly comp.	1	
2	DH 1012 75	Nut	1	
3	DK 1015 63	Clutch Plate Assly	1	
4	DK 1015 64	Clutch Center	1	
5	DK 1015 69	Plate Clutch pressure	1	
6	DK 1015 66	Disc Clutch friction	4	DJ 1013 69 (Disc Clutch Friction Kit)
	DK 1015 68	Disc Clutch friction (B type)	1	
	DK 1015 67	Disc Clutch friction (C type)	1	
7	DK 1015 65	Plate Clutch	5	
8	DK 1015 72	Spring Clutch Capacity	5	
9	39 1674 04	Bolt	1	
10	DK 1015 74	Bolt	5	
11	39 1880 20	Bearing Clutch lifter thrust	1	
12	DK 1015 73	Holder Clutch	1	



No.	Part No.	Description	Qty/ Veh.	Remarks
13	DK 1010 72	Rod Clutch lifter	1	
14	DK 1011 26	Spacer Clutch	1	
15	DH 1016 48	Nut Primary drive lock	1	LH Thread
16	DK 1016 36	Lever Assly. Clutch	1	
17	39 2200 11	Washer Primary Drive Gear	1	
18	DK 1015 70	Seat judder spring	1	
19	DK 1015 71	Spring judder	1	

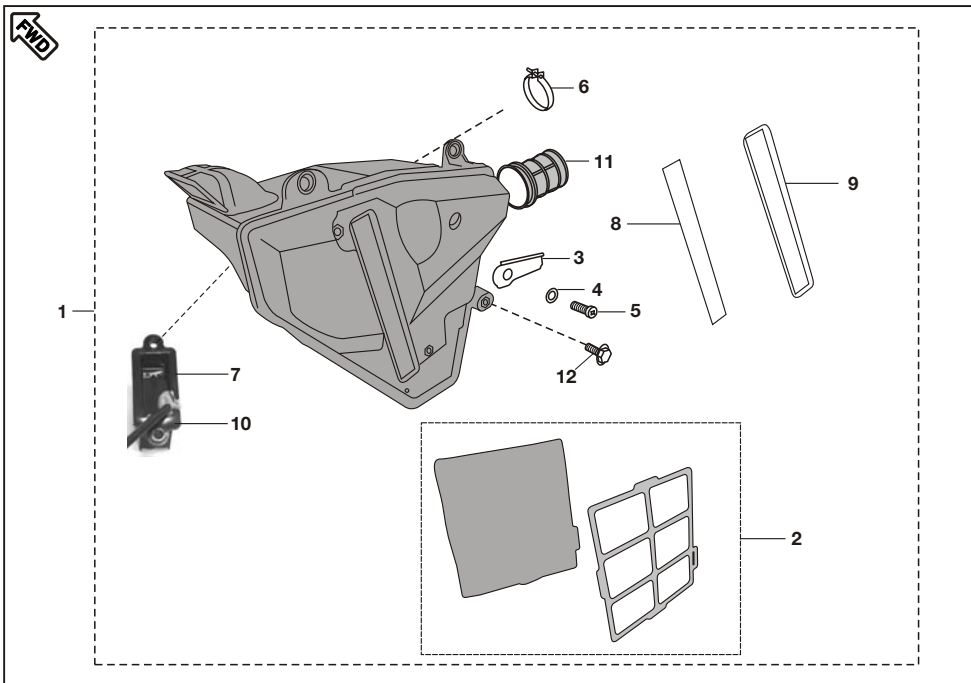


No.	Part No.	Description	Qty/ Veh.	Remarks
1	JC 1200 24	Carburettor Assly.	1	
2	36 DK00 58	Piston valve assly. Kit	1	For BS III Carb. Refer Page 69
3	DK 1210 41	Vacuum adjuster kit	1	Refer Page 69
4	DK 1210 42	Jet needle (JN)	1	
5	DK 1210 43	"O" ring	1	
6	DK 1210 44	Screw	2	
7	DK 1210 45	Float Assly.	1	
8	36 DK00 59	Main jet Kit	1	Refer Page 70
9	36 DK00 60	Float Chamber body Kit	1	Refer Page 70
10	DH 1211 01	Magnet Assly	1	
11	DJ 1210 70	Reed Switch Assly.	1	
12	39 1780 01	Pan Head Screw	2	
13	DK 1210 47	Needle Assly.	1	
14	DK 1210 48	Pilot Screw Kit	1	Refer Page 69
15	36 DK00 62	Solenoid Kit for Auto choke	1	Refer Page 70
16	36 DK00 61	Tap Cap Assly. Kit	1	Refer Page 70
17	DH 1210 63	Screw Cover	4	
18	DK 1210 51	Pilot Jet	1	

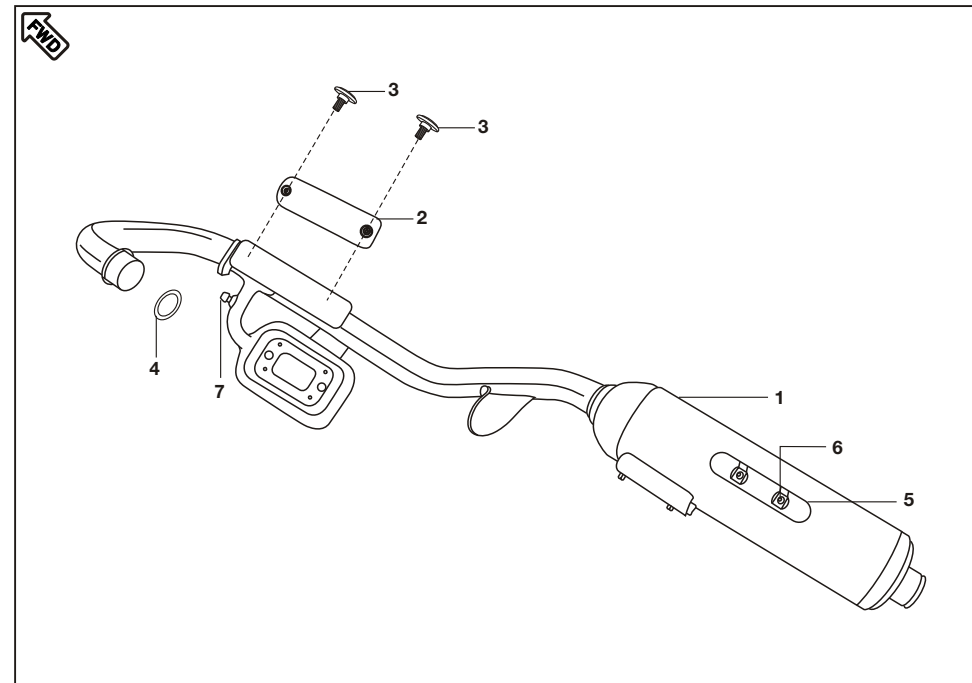


No.	Part No.	Description	Qty/ Veh.	Remarks
1	DK 1016 34	Oil cooler assembly	1	
2	DK 1012 25	Switch oil pressure	1	
3	DK 1013 40	'O' ring Oval (oil cooler pipe)	1	
4	DK 1610 81	Rubber Grommet	2	
5	39 1672 04	Bolt	2	
6	DK 1016 30	Pipe inlet oil cooler	1	
7	DK 1016 31	Pipe outlet oil cooler	1	
8	39 2637 04	Hexagon head Bolt	2	
8A	39 0291 15	Nut Hex. M5 x 0.8	2	
9	DK 1013 66	Banjo bolt	2	
10	DK 1012 37	Copper Washer (oil cooler)	4	
11	DK 1611 88	Cap oil cooler LH	1	
12	DK 1611 89	Cap oil cooler RH	1	
13	DK 1016 35	Oil cooler jali	1	
14	DK 1611 86	Oil cooler cap bracket LH	1	
15	DK 1611 87	Oil cooler cap bracket RH	1	
16	DK 1012 79	Washer Cooler Pipe	1	At cover RH
17	JB 4022 02	Grommet oil Pressure Switch	1	
18	DK 1612 59	Decal Oil Cooler LH	1	Other than Orange (For S)
	DK 1612 63	Decal Oil Cooler RH	1	Other than Orange (For S)
	DK 1612 60	Decal Oil Cooler LH	1	For Orange (For S)
	DK 1612 64	Decal Oil Cooler RH	1	For Orange (For S)

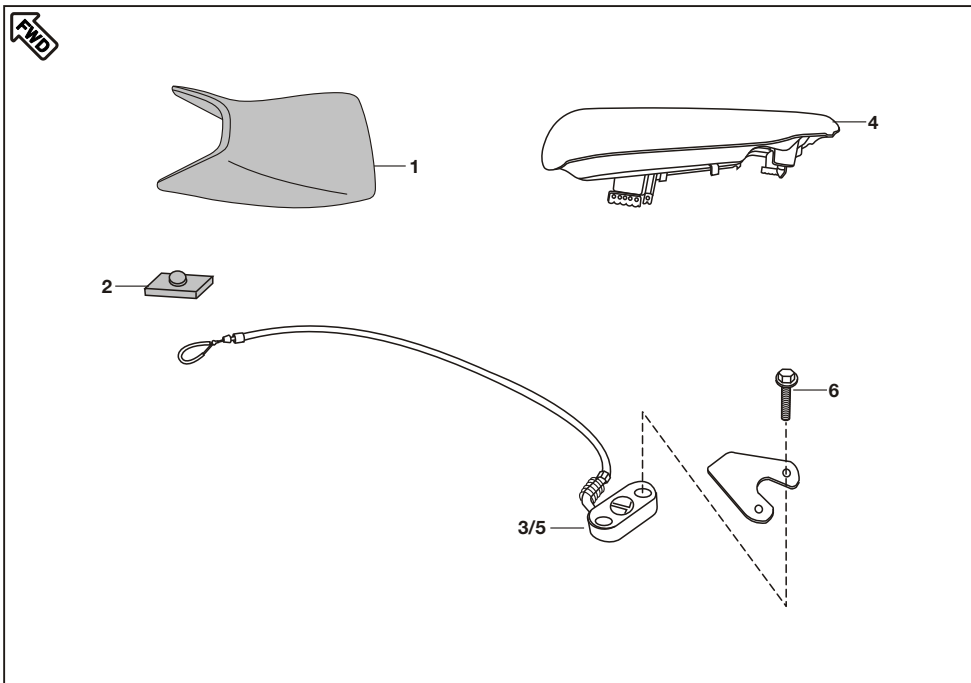




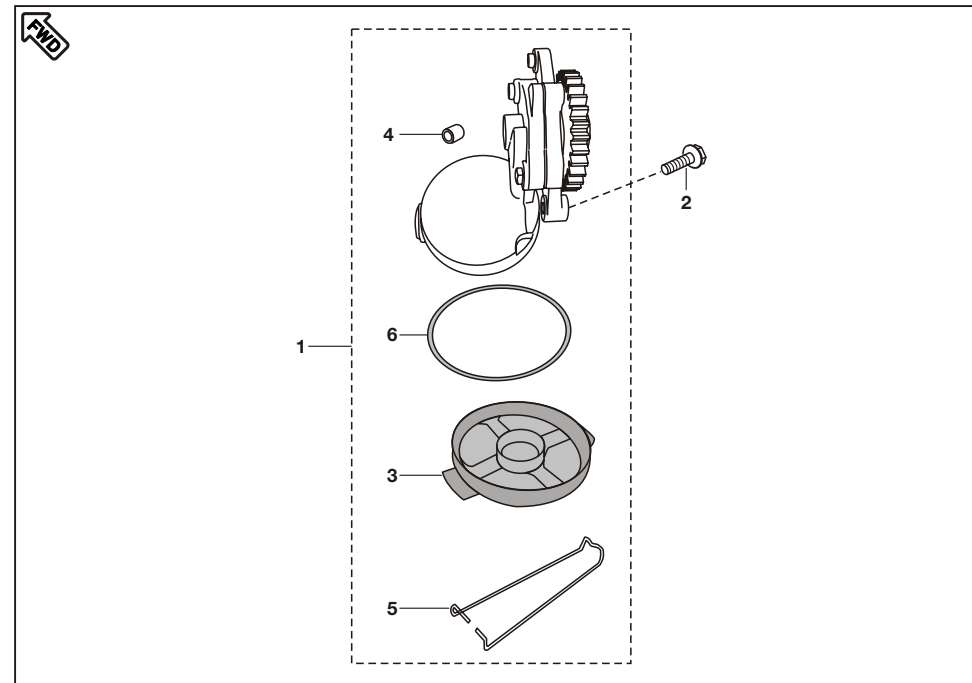
No.	Part No.	Description	Qty/ Veh.	Remarks
1	DK 1210 38	Air Cleaner comp	1	
2	DK 1210 09	Assly element filter	1	
3	DH 1210 20	Bracket lock	1	
4	39 1765 11	Plain washer	1	
5	39 1780 01	Hexagonal head screw	1	
6	AP 1210 64	Clamp	1	
7	DK 1110 40	IR sensor	1	
8	DK 1210 15	'O' Ring	1	
9	DK 1210 08	Filter element cover	1	
10	DK 1210 22	Grommet IR sensor	1	
11	DK 1210 39	Connecting Tube	1	
12	DH 1613 77	Bolt Step	3	



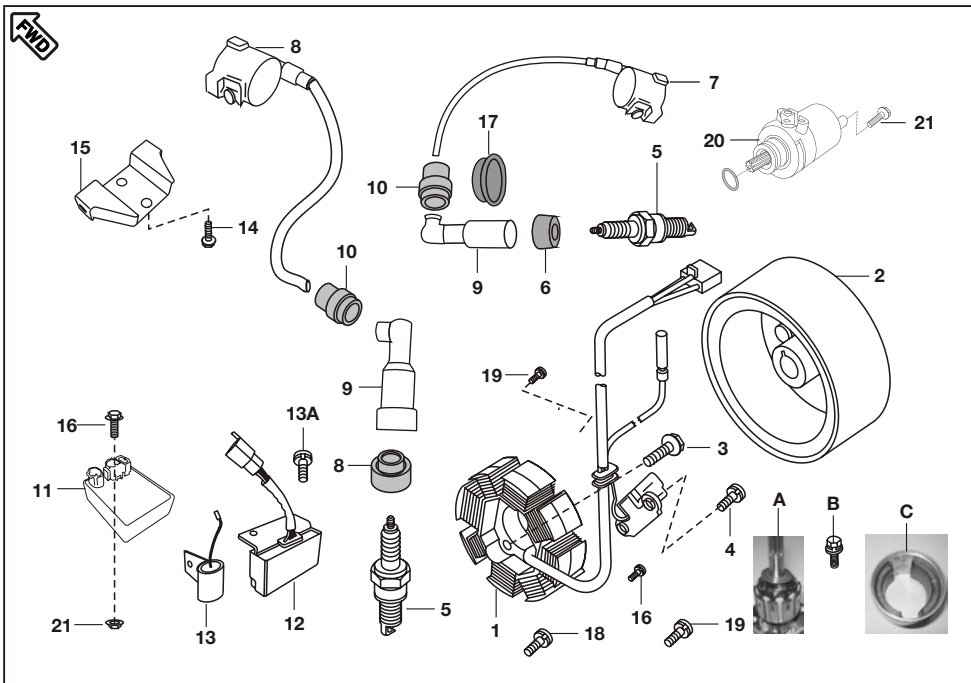
No.	Part No.	Description	Qty/ Veh.	Remarks
1	DK 1014 82	Silencer Assly. w/o shield	1	
2	DH 1016 08	Silencer front shield	1	
3	DH 1016 07	Truss screw	2	
4	DJ 1010 64	Gasket exhaust	1	
5	DK 1014 75	Silencer rear shield	1	
6	DK 9026 27	Nut	2	
7	DK 1016 10	Resonator bolt	1	



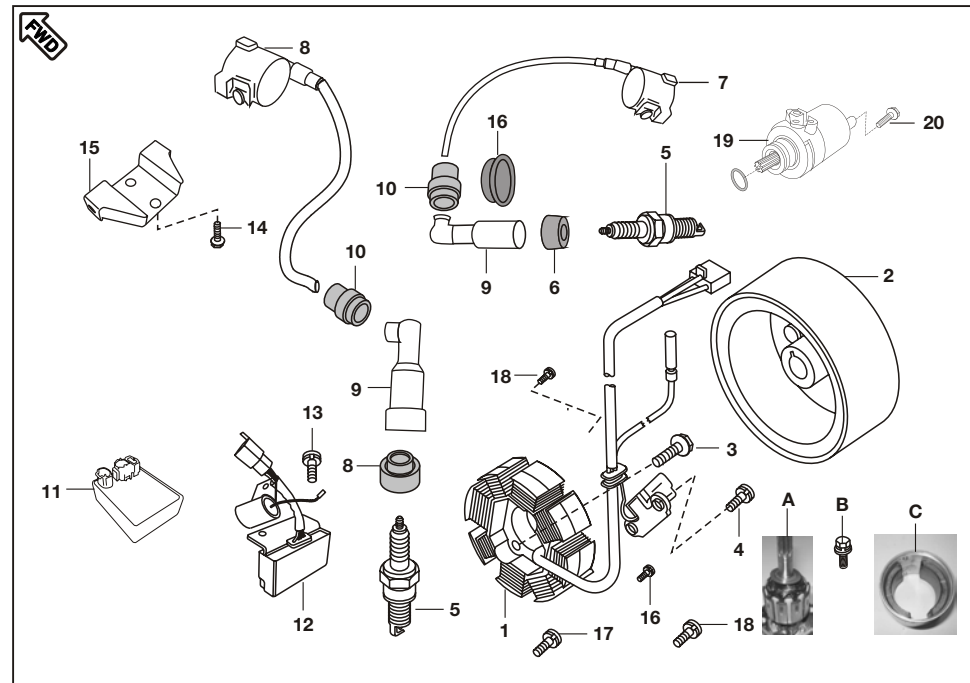
No.	Part No.	Description	Qty/ Veh.	Remarks
1	DK 2110 01	Seat assly comp front	1	
2	DS 2110 05	Damper	2	
3	DH 1610 46	Lock assly seat front	1	
4	DK 2110 04	Seat assly comp rear	1	
5	DK 2110 08	Lock assly seat rear	1	
6	39 1902 04	Bolt flange	2	



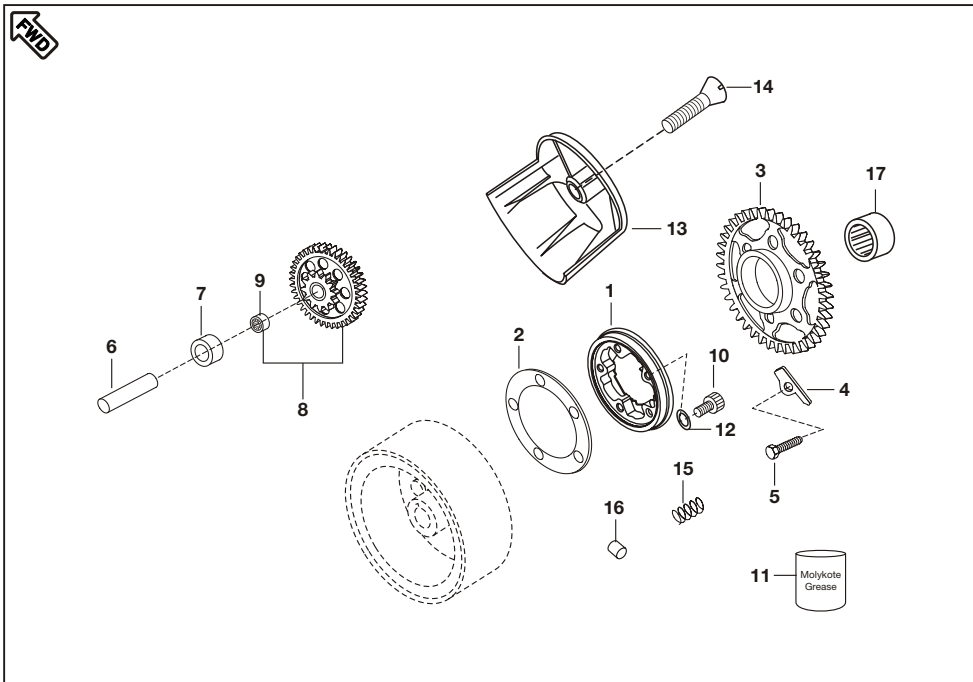
No.	Part No.	Description	Qty/ Veh.	Remarks
1	52 DH01 69	Oil Pump Assly	1	
2	39 1674 04	Hex. Bolt with flange	3	
3	DH 1210 10	Mesh filter Oil pump	1	
4	39 1686 06	Hollow dowel pin	1	
5	DH 1210 35	Clip Mesh Oil filter	1	
6	39 2194 21	'O' Ring	1	



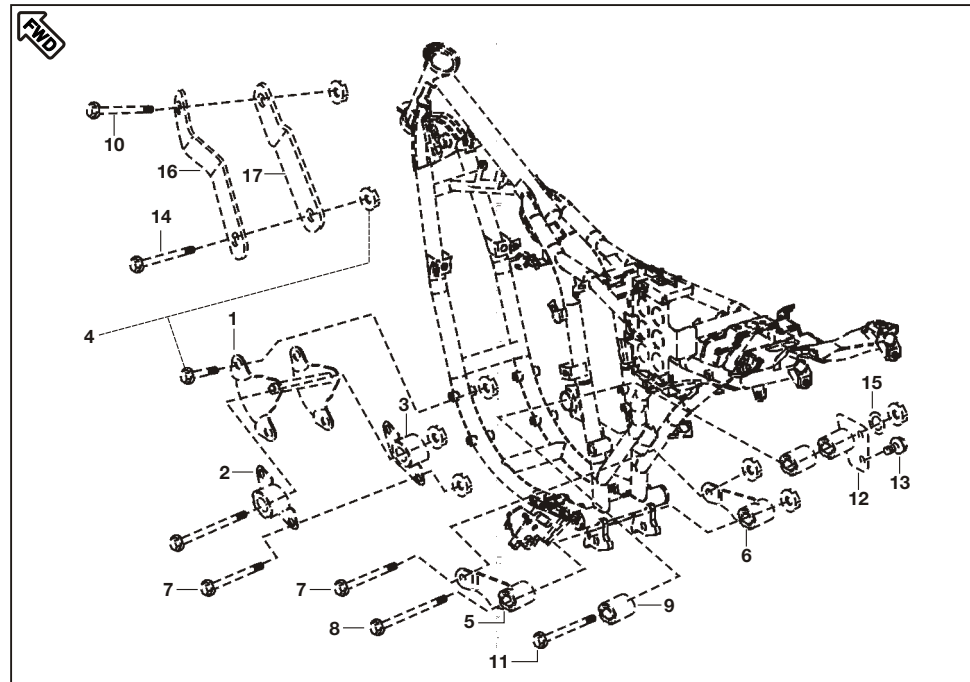
No.	Part No.	Description	Qty/ Veh.	Remarks
1	JC 1110 26	Stator assly. comp.	1	(220 F)
	DH 1110 81	Stator assly. comp.	1	(220 SF)
2	JC 1110 28	Rotor Assly.	1	(220 F)
	DH 1110 83	Rotor Assly.	1	(220 SF)
3	39 1674 04	Hex. Bolt with Flange	2	
4	39 0761 01	Pan Head Screw	2	
5	DK 1110 28	Spark Plug	2	
6	DH 1011 13	Grommet Spark Plug	2	
7	JC 1110 22	H.T. Coil LH	1	
8	JC 1110 23	H.T. Coil RH	1	
9	DH 1110 15	Cap Spark Plug	2	
10	DD 1110 12	Grommet H.T. Cable	2	
11	DK 1110 72	CDI Unit	1	
12	DK 2010 01	Regulator Voltage	1	(220 F)
	DJ 2012 02	Regulator Voltage	1	(220 SF)
13	DK 2010 36	Capacitor	1	
13A	39 1944 04	Bolt Flange	2	
14	39 1902 04	Flange Bolt	2	



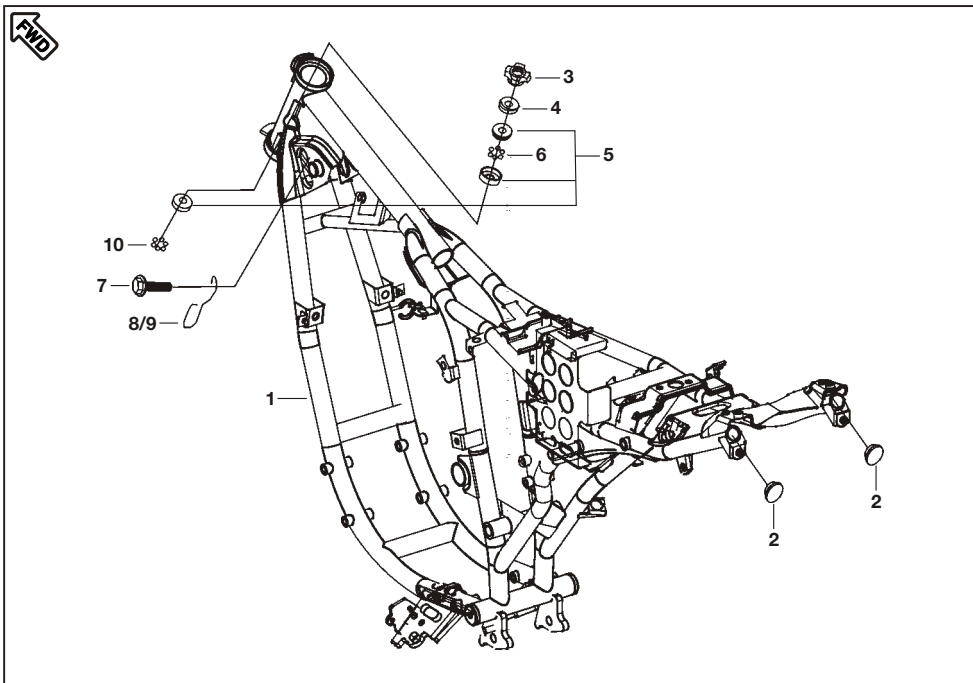
No.	Part No.	Description	Qty/ Veh.	Remarks
15	DJ 1610 67	Bracket H.T. Coil	1	
16	DH 1110 16	Grommet Sleeve Spark Plug	1	
17	DK 1210 84	Hex bolt stator mounting	3	
18	DH 1013 81	Pan head screw (Pick up coil mtg)	2	
19	JC 1110 07	Motor assly. starter	1	
20	DS 1013 53	Bolt	2	
		<b>STARTER MOTOR SERVICEABLE</b>		
A	DK 1110 16	Armature	1	
B	DK 1110 21	Tie Bolt	1	
C	JC 1110 10	Yoke	1	
		<b>STARTER MOTOR KIT</b>		
D	36 DK00 50	Starter Motor Repair kit	1	Refer page no. 69
E	36 DK00 51	Starter Motor Repair kit	1	Refer page no. 69



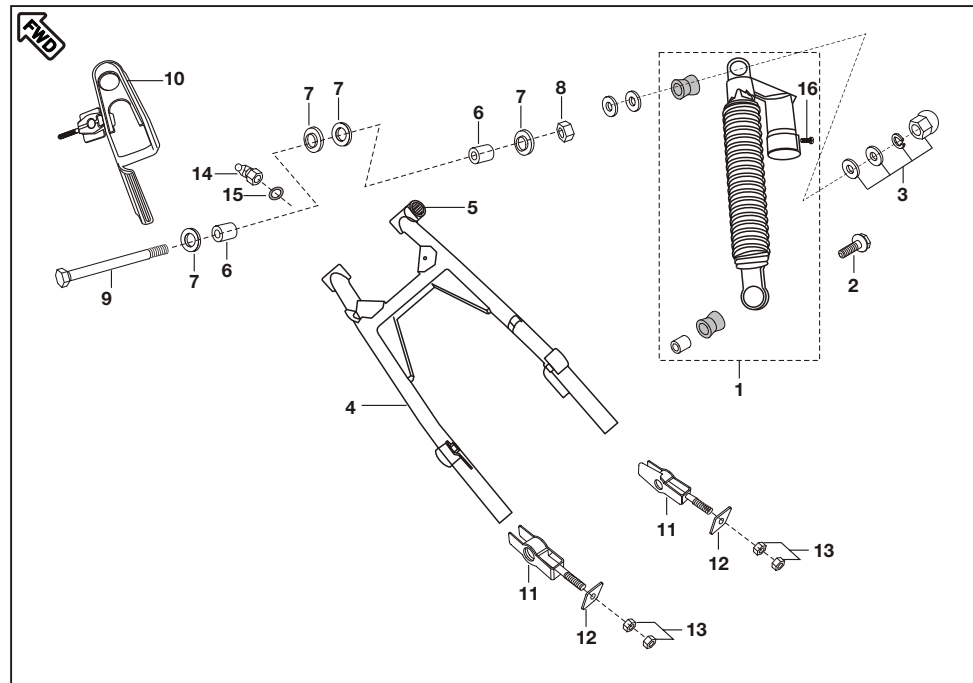
No.	Part No.	Description	Qty/ Veh.	Remarks
1	36 DK00 76	Kit comp. starter clutch	1	Ref. Cir. D-40
2	DK 1016 05	Plate roller clutch	1	
3	JC 1011 12	Gear starter clutch	1	
4	DH 1015 81	Plate starter clutch gear return	1	
5	DH 1013 85	Bolt	1	For stopper plate
6	DK 1011 76	Shaft starter counter	1	
7	DH 1011 72	Collar starter counter	1	
8	JC 1011 15	Gear comp. starter counter assly.	1	
9	59 2000 07	Needle roller bearing	1	
10	39 0972 04	Bolt Socket	3	
11	36 DK00 45	Grease Molykote (200 gm box)	1	For BSC Lubrication@ 5K Kms
12	39 0849 14	Star Washer Toothed	3	
13	DK 1017 70	Cover starter motor	1	
14	DH 1013 89	Slotted c'sunk screw	1	
15	36 DK00 77	Kit For Starter Clutch Spring	1	Ref. Cir. No. D-40
16	DH 1011 63	Roller	5	
17	59 2000 07	Needle roller bearing	1	



No.	Part No.	Description	Qty/ Veh.	Remarks
1	DK 1610 96	Bkt. Assly. eng. mtg. front	1	
2	DH 1611 89	Bkt. comp. LH eng. mtg. Front	1	
3	DH 1611 90	Bkt. comp. RH eng. mtg. Front	1	
4	36 DK00 11	Kit hardware eng. mtg.	1	Ref. page no. 68
5	DK 1611 59	Bkt. comp. LH eng. mtg. lower	1	
6	DK 1611 60	Bkt. comp. RH eng. mtg. lower	1	
7	39 2157 04	Bolt Flanged	3	
8	39 2412 04	Bolt Flanged	1	
9	DH 1612 73	Bush in frame	1	
10	39 1967 04	Bolt	1	
11	59 0400 43	Hex. soc. hd. cap bolt	1	
12	DK 1611 61	Bkt. comp. RH eng. rear	1	
13	39 2310 04	Flanged bolt	2	
14	39 2412 04	Bolt	1	
15	39 2457 11	Washer	1	
16	DK 1612 22	Bracket engine hanger LH	1	
17	DK 1612 23	Bracket engine hanger RH	1	

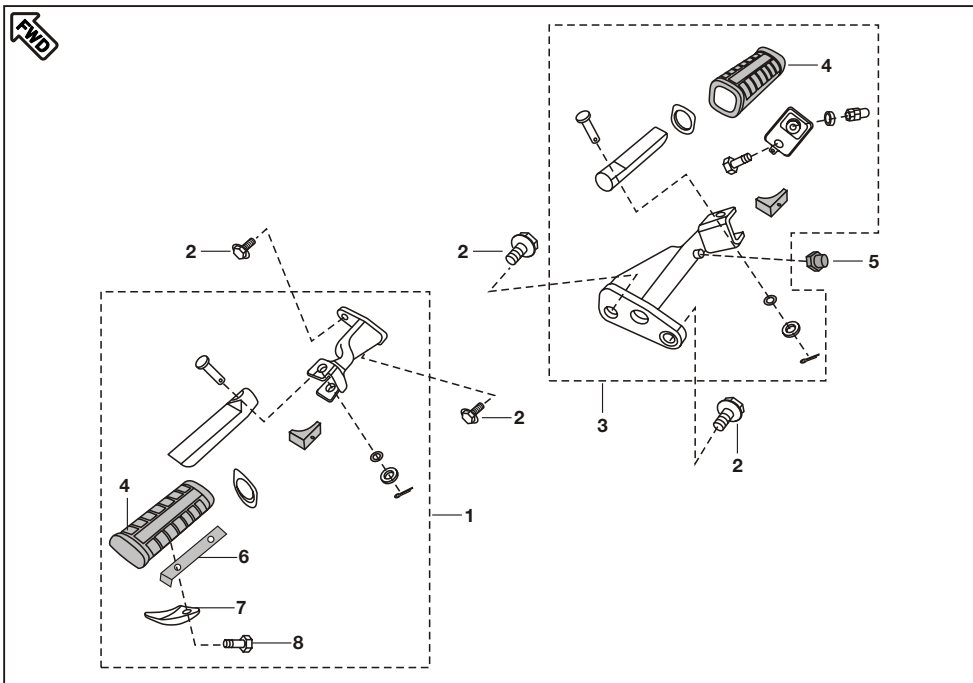


No.	Part No.	Description	Qty/ Veh.	Remarks
1	JC 1610 50	Frame Assly. Comp.	1	(220 F)
	JC 1610 49	Frame Assly. Comp.	1	(220 SF)
2	DH 1611 12	Cup rear	2	
3	DK 1810 75	Nut	1	
4	DK 1810 76	Cup - Steering	1	
5	36 DV00 07	Bearing Cone Kit	1	Ref. page no. 68
6	DK 1810 50	Cage bearing upper	1	
7	39 1680 04	Flanged bolt	2	
8	DJ 1611 32	Cable Hook LH	1	
9	DJ 1611 33	Cable Hook RH	1	
10	DK 1810 51	Cage bearing lower	1	

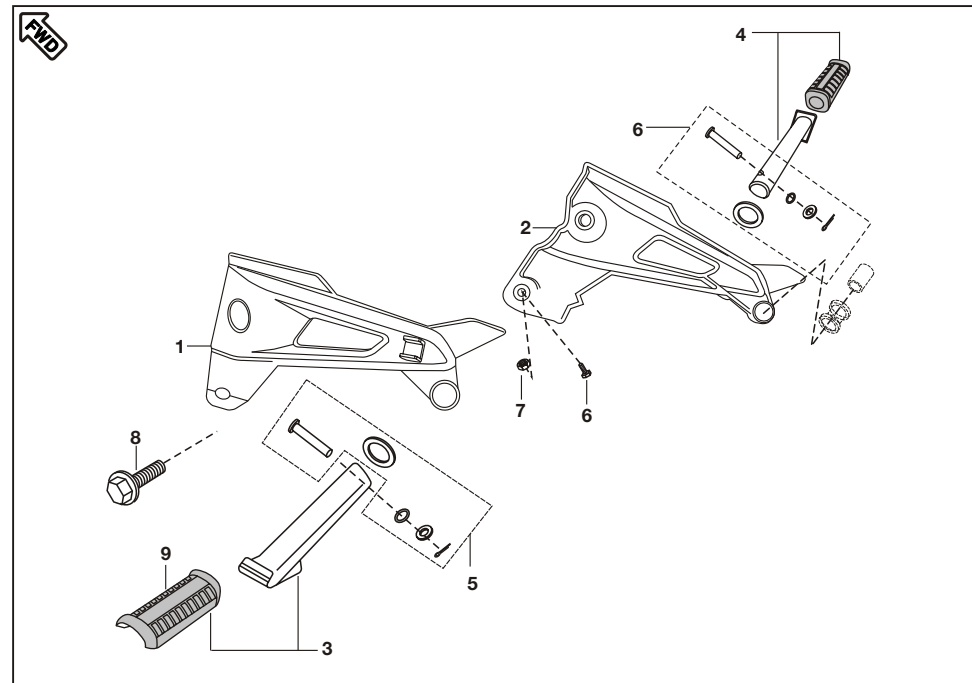


No.	Part No.	Description	Qty/ Veh.	Remarks
1	DK 1710 14	Rear Shock Absorber	2	
2	DG 1710 38	Bolt Pre-coated	2	
3	36 DK00 12	Kit Bush Rear Shock Absorber	1	Ref. page no. 68
4	DK 1710 11	Swing arm assly.	1	
5	DG 1710 18	Needle bearing	2	
6	DK 1710 06	Collar swing arm	2	
7	DG 1710 19	Dust seal swing arm	4	
8	DH 1710 19	'U' nut swing arm	1	
9	DK 1710 03	Shaft swing arm	1	
10	DG 1710 34	Chain slider guard	1	
11	JM 1710 03	Adjuster chain	2	
12	JM 1710 04	Cap Chain Adjuster	2	
13	39 0292 15	Hexagon nut	4	
14	35 1710 33	Grease nipple	2	
15	39 0740 11	Plain washer (Nylon)	2	
16	DJ 1710 34	Nitrox Screw Assly.	2	(1 Per RSA)

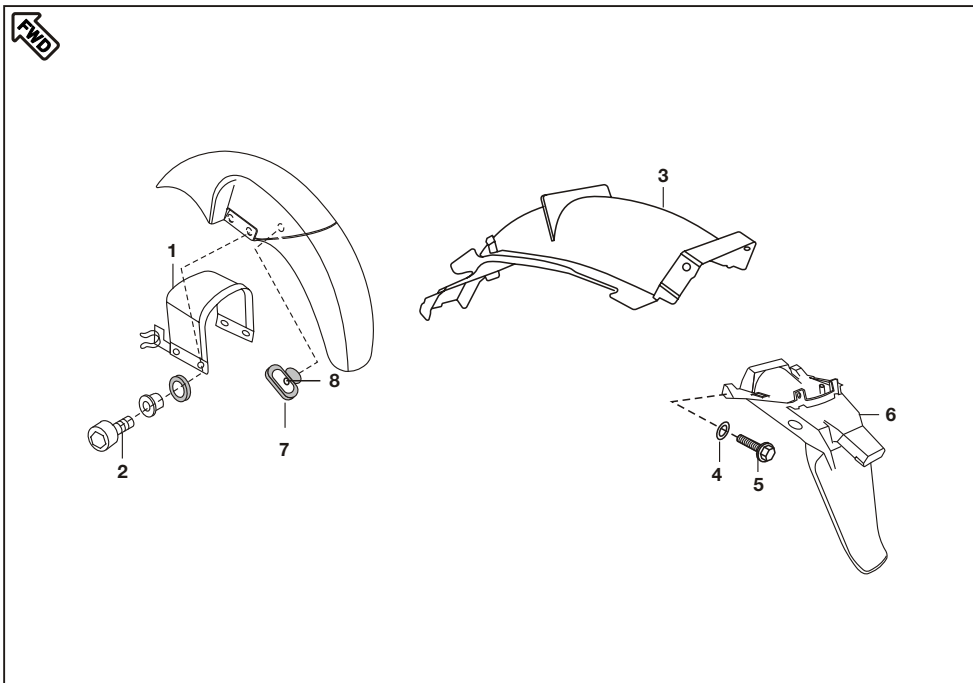




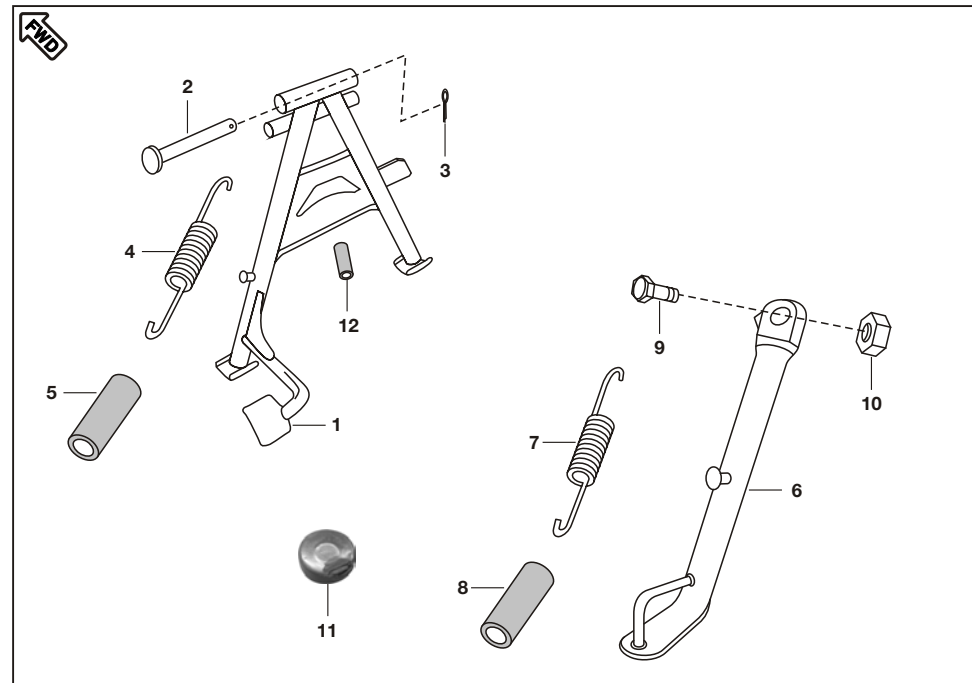
No.	Part No.	Description	Qty/ Veh.	Remarks
1	DJ 1611 26	Main step LH assly. comp.	1	
2	22 1504 51	Flange bolt	4	
3	DJ 1611 27	Main step RH assly. comp.	1	
4	DH 1610 53	Rubber main step	2	
5	DH 1611 94	Kick stopper	1	
6	DX 1610 67	Plate lock pillion step	2	
7	DH 1611 00	Spacer main step	2	
8	39 2475 04	Bolt	2	



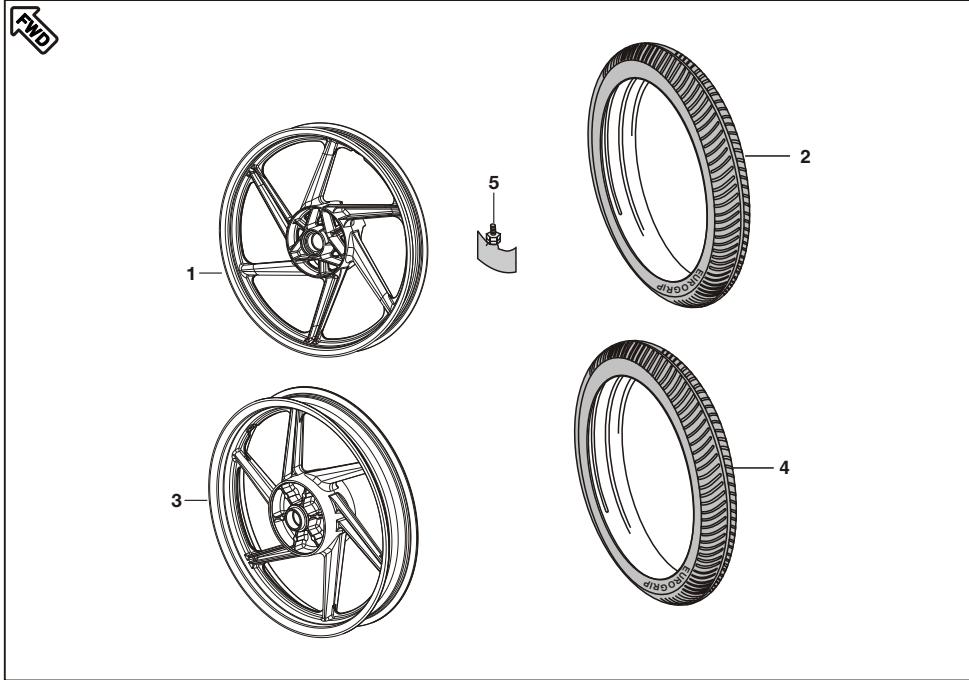
No.	Part No.	Description	Qty/ Veh.	Remarks
1	DK 1611 37	Holder LH step - Silver	1	
	52 DK01 67	Holder LH step - Black	1	
	DK 1613 08	Holder LH step - Moon Light Silver	1	Ref. Cir. IB-14; Aug-11
2	DK 1611 38	Holder RH step - Silver	1	
	52 DK01 68	Holder RH step - Black	1	
	DK 1613 09	Holder RH step - Moon Light Silver	1	Ref. Cir. IB-14; Aug-11
3	DJ 1611 28	Pillion step assly. comp. LH	1	
4	DJ 1611 29	Pillion step assly. comp. RH	1	
5	36 DK00 13	Kit hardware pillion	2	Ref. page no. 68
6	39 1069 01	Hexagonal head screw	2	
7	39 0292 15	Nut	1	
8	39 2582 04	Flanged Bolt	2	Bolt Mtg. LH & RH Holder Step
9	DJ 1611 22	Pillion footrest rubber	2	



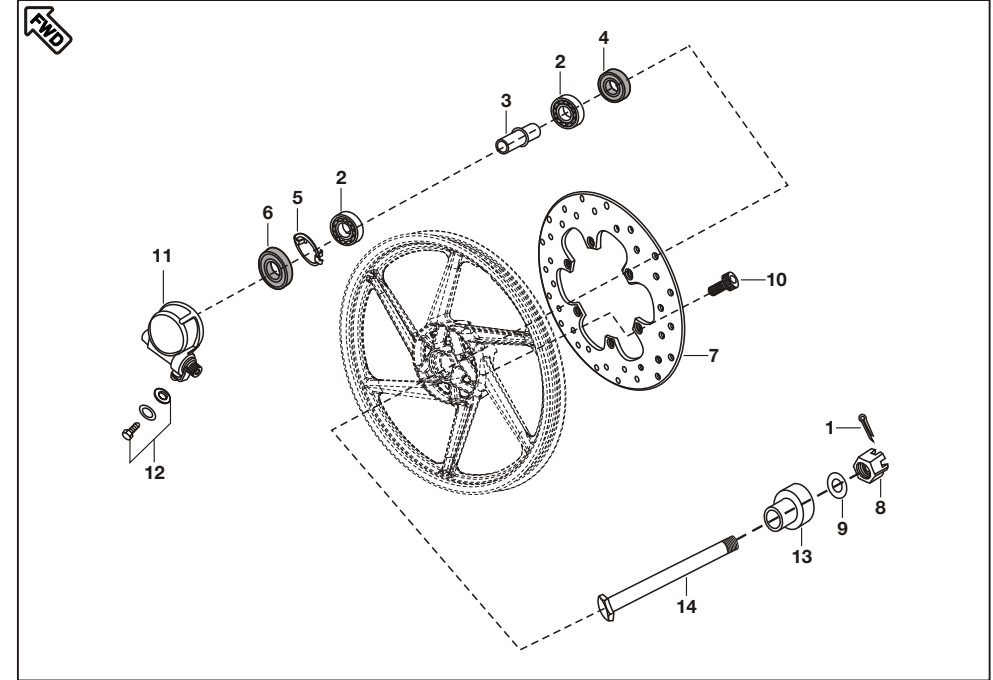
No.	Part No.	Description	Qty/ Veh.	Remarks
1	DK 1610 98	Brace fender	1	
2	59 0400 40	Step bolt	4	
3	DK 1610 86	Fender rear front	1	
4	39 0711 11	Plain washer	4	
5	39 1680 04	Flange bolt	2	
6	DK 1610 85	Fender rear	1	
7	DS 1611 25	Cable guide	1	
8	DJ 1610 69	Nail Cable guide	1	



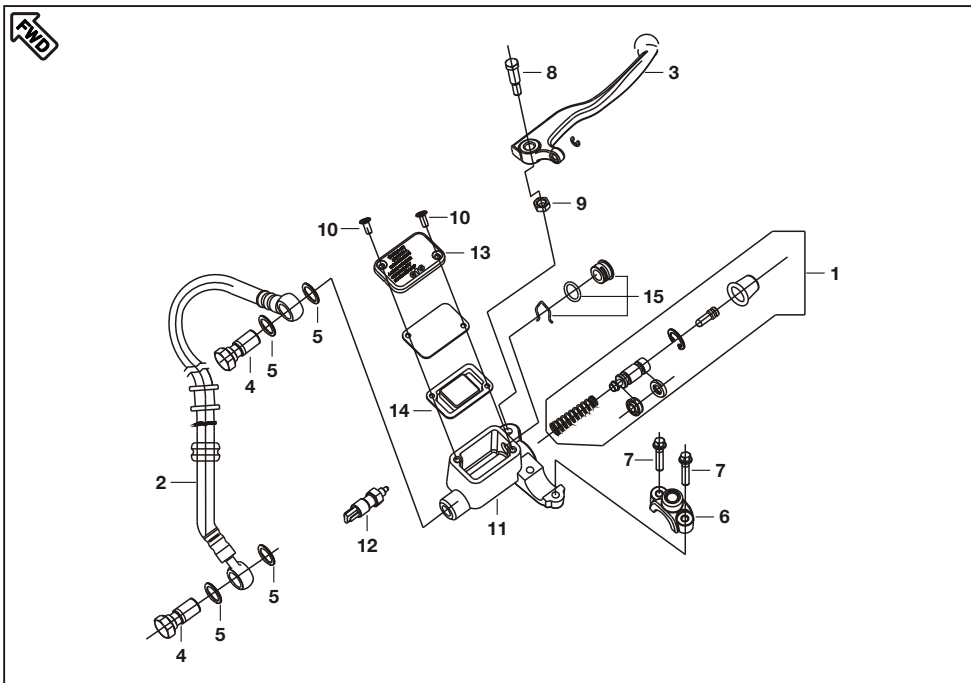
No.	Part No.	Description	Qty/ Veh.	Remarks
1	DK 1611 22	Stand main	1	
2	30 1611 57	Shaft stand	1	
3	39 0787 08	Pin cotter	1	
4	DH 1611 21	Spring main stand	1	
5	DH 1611 45	Cover spring main stand	1	
6	JC 1610 17	Stand side	1	
7	DH 1610 66	Spring side stand	1	
8	DH 1611 46	Cover spring side stand	1	
9	DF 1611 02	Bolt	1	
10	39 0422 15	Nut	1	
11	DJ 2011 06	Magnet assembly	1	
12	DJ 1611 24	Main Stand Rubber	1	



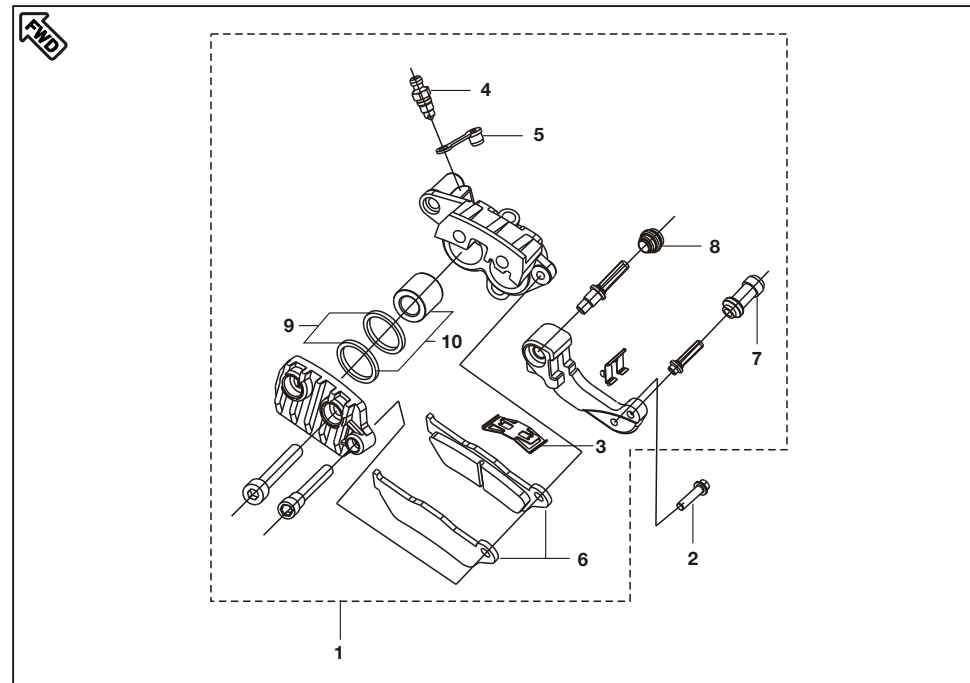
No.	Part No.	Description	Qty/ Veh.	Remarks
1	JC 1510 13	Wheel rim front	1	
2	DK 1510 39	Tubeless tyre front	1	Not serviceable
3	DK 1510 50	Wheel rim rear	1	
4	DK 1510 40	Tubeless tyre rear	1	Not serviceable
5	DK 1510 26	Valve for tubeless tyre	2	
6		Weights for Wheel Rim	1	



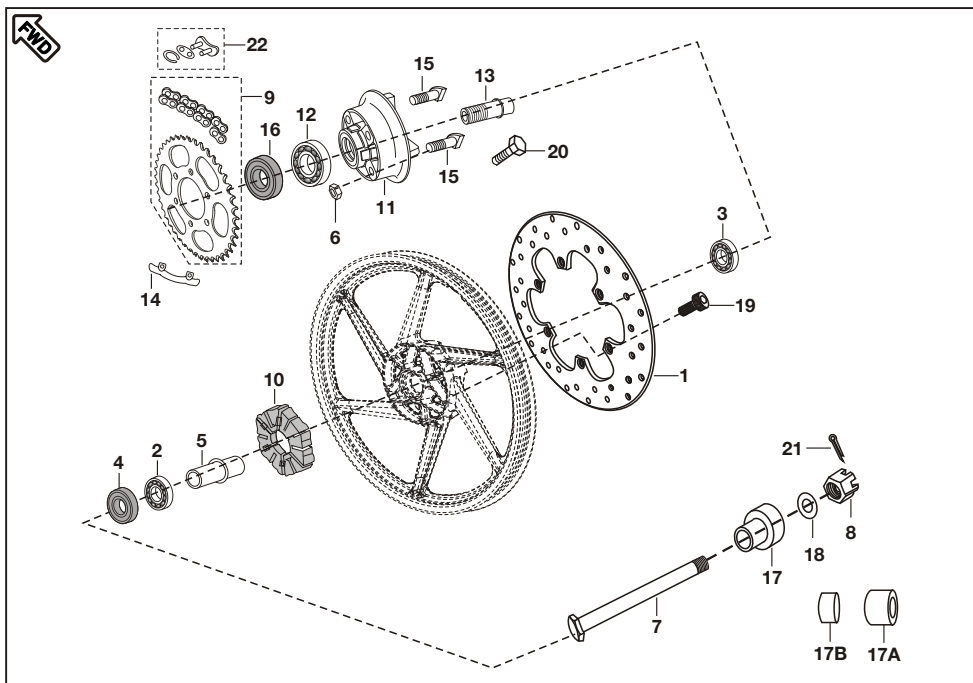
No.	Part No.	Description	Qty/ Veh.	Remarks
1	39 0787 08	Pin cotter	1	
2	39 2241 20	Bearing ball	2	
3	DK 1510 28	Spacer assly.	1	
4	DG 1510 05	Seal oil	1	
5	DE 1510 12	Plate drive	1	
6	DE 1510 08	Seal oil	1	
7	DK 1510 27	Disc	1	
8	DH 1710 19	U nut	1	
9	DG 1510 08	Plain washer	1	
10	DG 1510 49	Hex. soc. hd. bolt	6	
11	JC 1510 20	Case meter assly. (W/o Sensor)	1	Applicable to all versions of Pulsar 220 & 200
12	JC 2010 50	Hardware Kit	1	
13	DG 1510 07	Collar	1	
14	DK 1510 08	Axle	1	



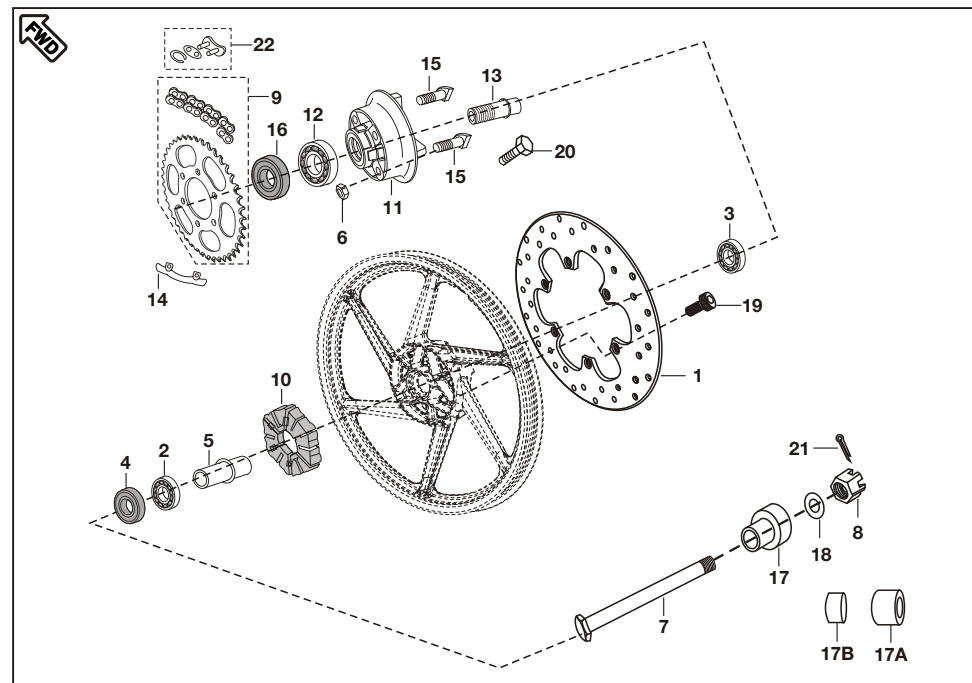
No.	Part No.	Description	Qty/ Veh.	Remarks
1	DE 1910 43	Major Kit - Master Cylinder	1	BREMBO
2	DK 1510 57	Hose Brake Front	1	
3	DJ 1910 57	Lever Grip RH	1	
4	DE 1910 11	Banjo Bolt	2	
5	DE 1910 10	Washer Copper	4	
6	DE 1910 33	Clamp Holder RH	1	(220 SF)
6A	DK 1810 52	Clamp Holder RH	1	(220 F)
7	DJ 1910 28	Bolt	2	
8	DJ 1910 29	Bolt Front Brake Lever	1	
9	DJ 1910 30	Nut Flanged	1	
10	DE 1910 30	Screw	2	
11	DJ 1910 56	Cylinder Master	1	BREMBO
12	DJ 2011 09	Front brake switch	1	
13	DE 1910 29	Reservoir Cover	1	
14	DE 1910 28	Diaphragm	1	
15	DE 1910 35	Oil Window Kit	1	



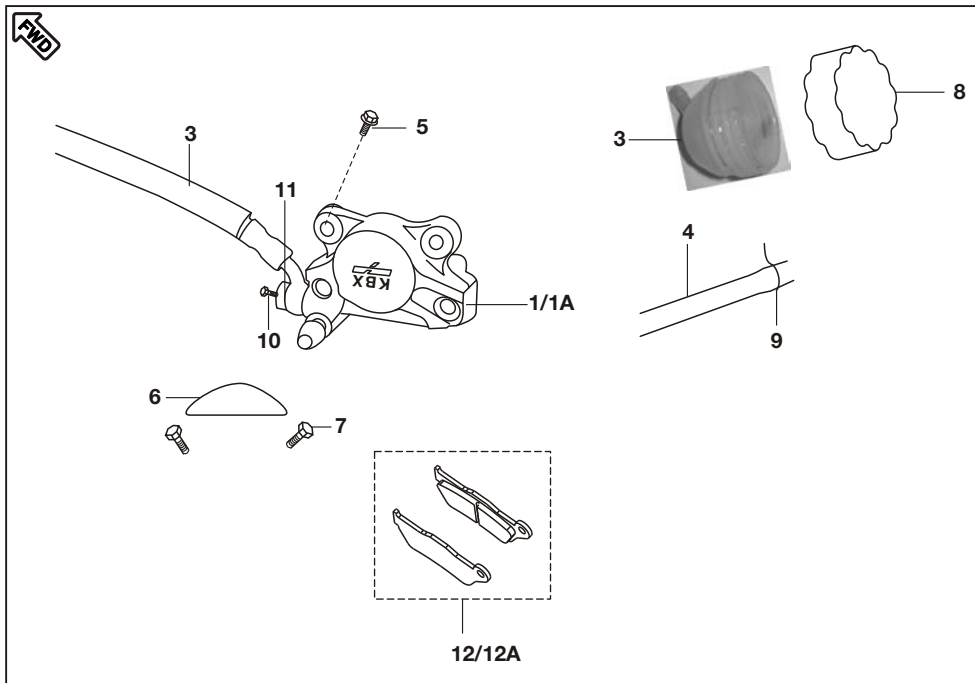
No.	Part No.	Description	Qty/ Veh.	Remarks
1	DK 1510 54	Caliper Assly. Front	1	
2	59 0400 48	Bolt Flanged	2	
3	DE 1510 48	Spring Pad	1	
4	DE 1510 46	Bleeder Screw	1	
5	DE 1510 47	Bleeder Cap	1	
6	DE 1510 37	Disc Pad Set	1	
7	DE 1510 43	Insulator	1	
8	DJ 1510 73	Protection Boot	1	
9	DE 1510 51	Minor kit caliper	1	
10	DE 1510 52	Major kit caliper	1	



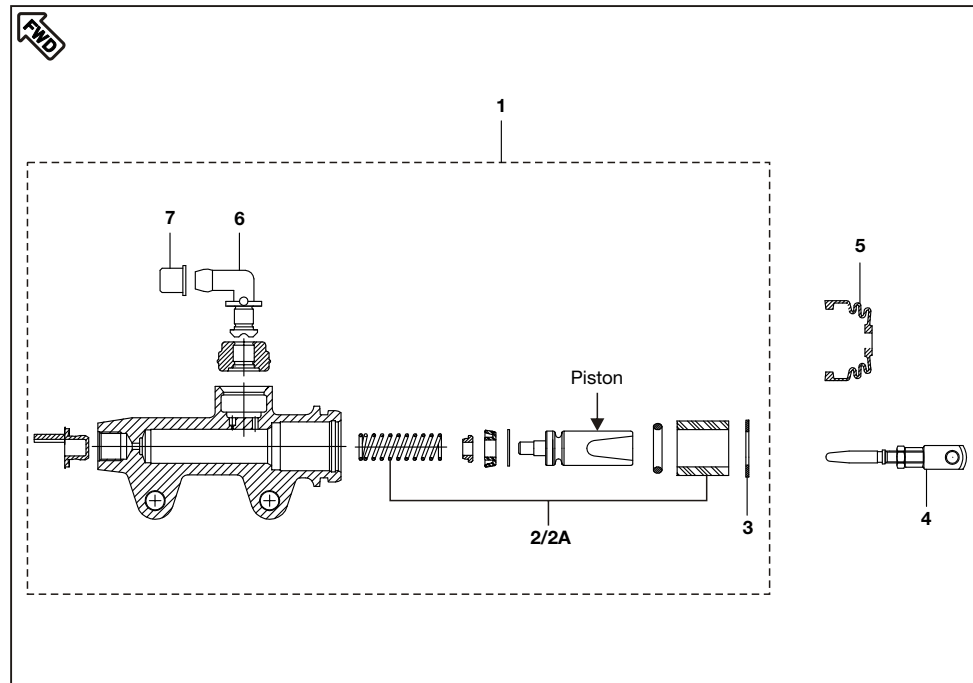
No.	Part No.	Description	Qty/ Veh.	Remarks
1	DK 1510 24	Rear disc	1	
2	39 2686 20	Ball bearing	1	
3	39 2687 20	Ball bearing	1	
4	30 1510 82	Seal oil	1	
5	DK 1510 22	Collar bearing assly.	1	
6	39 1997 15	Nut hex small	6	
7	DK 1510 09	Axel rear	1	
8	DH 1710 19	"U" nut	1	
9	36 DK00 40	Chain sprocket kit	1	Ref. page no. 68
10	JG 1312 19	Coupling rubber	1	
11	JC 1510 16	Coupling	1	
12	DK 1510 13	Ball Bearing	1	
13	DK 1510 15	Sleeve	1	
14	DS 1510 74	Washer lock	6	
15	DS 1510 73	Stud	2	



No.	Part No.	Description	Qty/ Veh.	Remarks
16	DK 1510 12	Oil Seal	1	
17	DK 1510 17	Spacer	1	
17A	DK 1510 81	Spacer	1	For Floating Type Caliper assly.
17B	DK 1510 82	Spacer	1	For Floating Type Caliper assly.
18	DG 1510 08	Washer	1	
19	DG 1510 49	Hex soc. HD bolt	6	
20	39 2036 04	Bolt Socket	6	
21	39 0787 08	Pin cotter	1	
22	DK 1510 36	Drive chain lock	1	

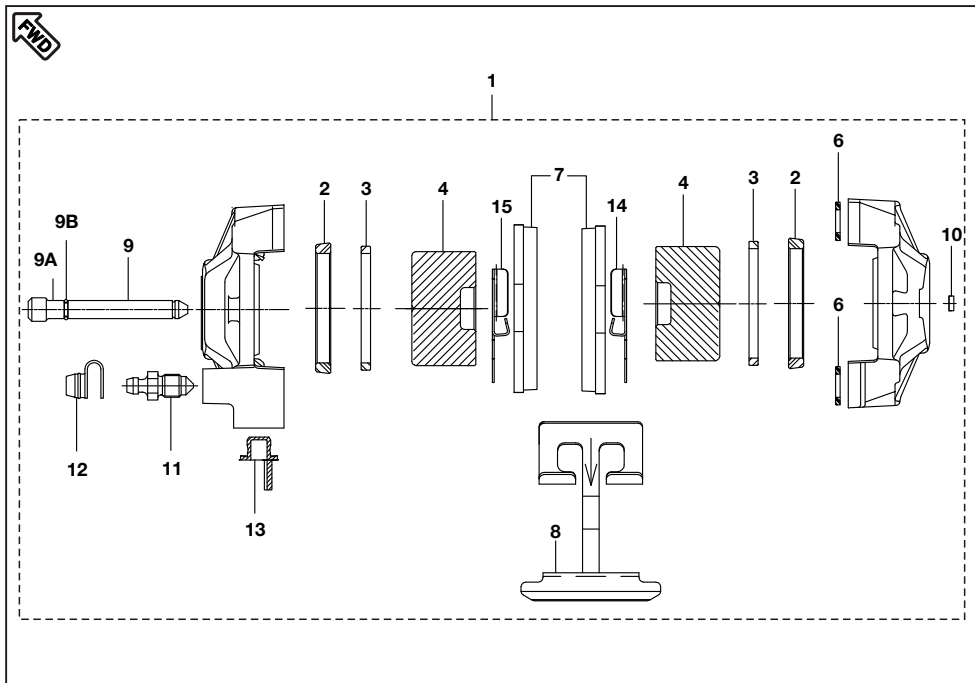


No.	Part No.	Description	Qty/ Veh.	Remarks
1	DK 1510 59	Caliper assembly rear	1	
1A	DK1510 83	Caliper assembly rear	1	Floating Type (New)
2	DK 1510 32	Hose disc brake	1	
3	DK 1510 33	Reservoir rear disc brake	1	
4	DK 1510 34	Reservoir tube	1	
5	39 2310 04	Flange bolt	2	
6	DK 1510 23	Caliper bracket	1	
7	39 2481 04	Caliper bracket Bolt	2	
8	DK 1510 45	Reservoir Wire cap	1	
9	DK 1510 63	Clip for reservoir tube	2	
10	DK 1510 69	Banjo Bolt	1	
11	DE 1910 10	Copper Washer	1	
12	DK 1510 38	Disc Pad	1	
12A	DK 1510 85	Disc Pad Modified	1	Floating Type (New)

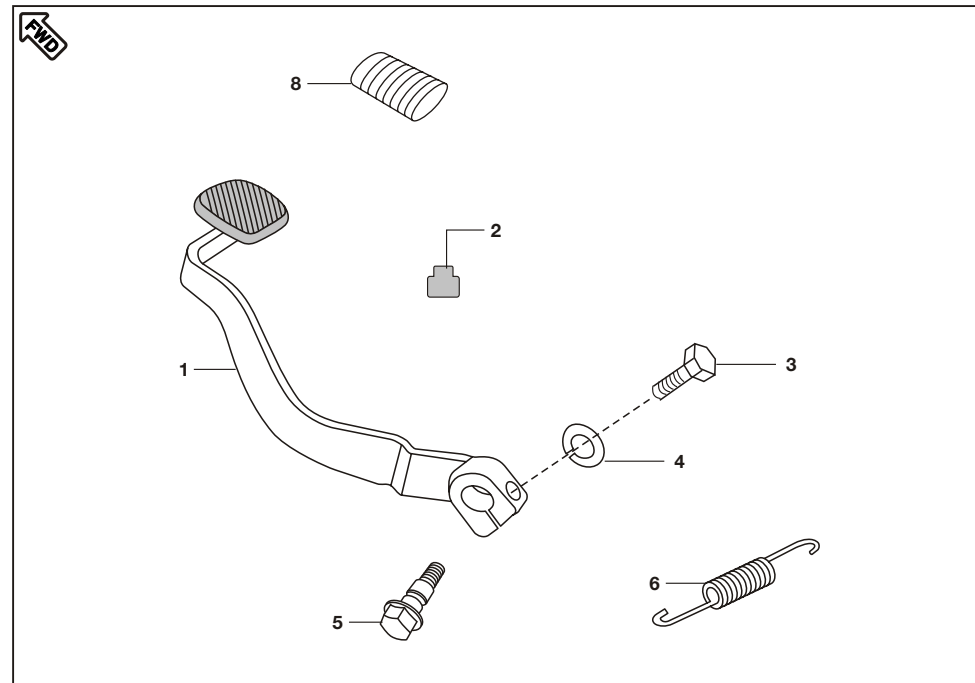


No.	Part No.	Description	Qty/ Veh.	Remarks
1	DK 1510 31	Master Cylinder	1	
2	DK 1510 73	Major Kit	1	(Includes Piston)
2A	DK 1510 74	Major Kit	1	(Does not Includes Piston))
3	DK 151078	Circlip	1	
4	DK 1510 43	Push Road	1	
5	DK 1510 42	Boot	1	
6	DK 1510 76	Connector	1	
7	DK 1510 77	Cap	1	

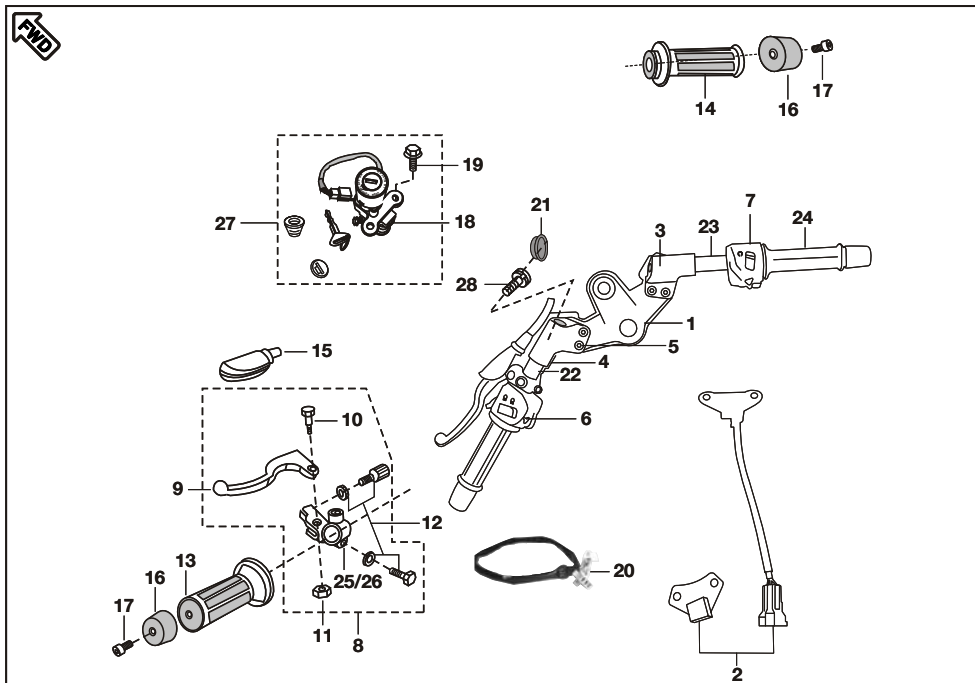




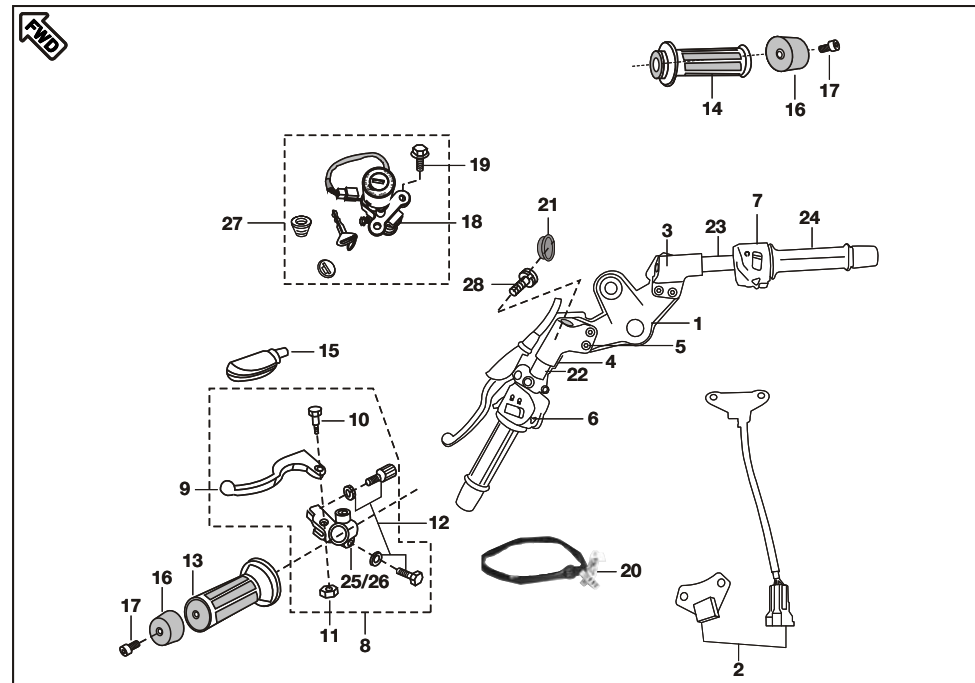
No.	Part No.	Description	Qty/ Veh.	Remarks
1	DK 1510 59	Caliper assly. Rear	1	
2	DK 1510 68	Seal	2	
-	DK 1510 71	Caliper Major Kit	1	(Includes Sr. No. 6,3,2,4)
--	DK 1510 70	Caliper Minor Kit	1	(Includes Sr. No. 6,3,2)
3	Not Serviceable	Scraper Ring	2	
4	Not Serviceable	Piston	2	
5	Not Serviceable	Half Caliper without Mounting	--	
6	Not Serviceable	'O' Ring	--	
7	Not Serviceable	Pad	--	
8	DK 1510 41	Spring Pad	1	
9	Not Serviceable	Pin Assly.	--	
9A	DK 1510 64	Pin	1	
9B	Not Serviceable	Fork	--	
10	DK 1510 65	Circlip	1	
11	DK 1510 67	Bleeder Screw	1	
12	DK 1510 66	Bleeder cap	1	
13	Not Serviceable	Thread Protector	--	
14	Not Serviceable	Shim Mounting Side	--	
15	Not Serviceable	Shim Wheel Side	--	
16	DK 1510 88	Piston Kit (major kit) floating caliper	1	Refer Page no. 69
17	DK 1510 89	Kit Piston Seal (Minor Kit)	1	Refer Page no. 69
18	DK 1510 90	Insulator Kit floating caliper	1	Refer Page no. 69



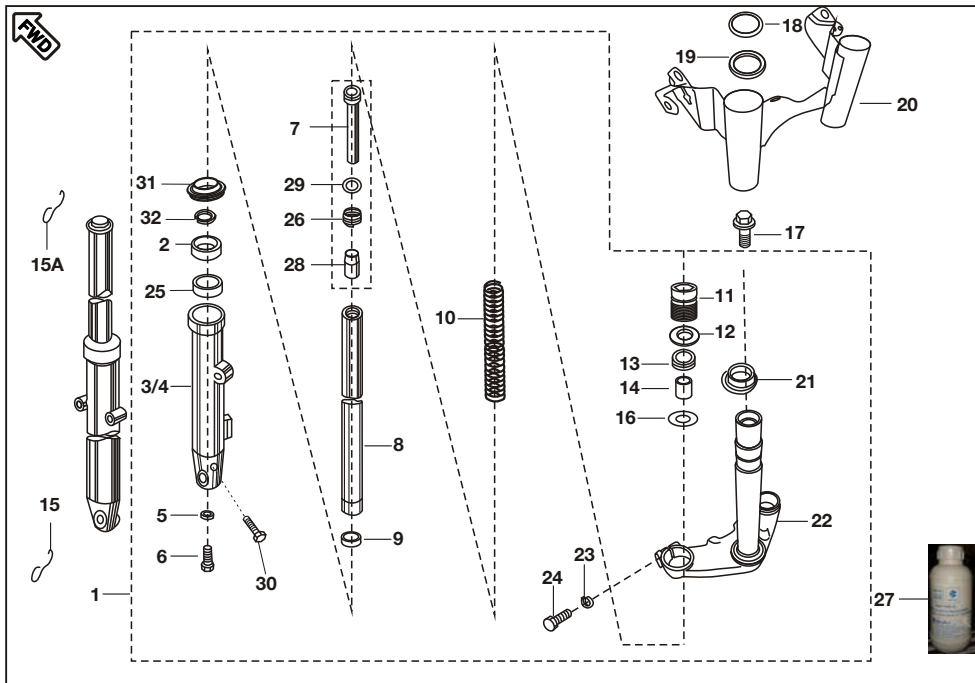
No.	Part No.	Description	Qty/ Veh.	Remarks
1	DK 1910 12	Lever Brake Pedal	1	
2	DG 1013 39	Damper	1	
3	DK 1011 86	Bolt pivot lever change	1	
4	DK 1011 85	Washer pivot bolt	1	
5	DK 1011 87	Collar pivot bolt	1	
6	DK 1910 13	Spring brake pedal	1	
7	DG 1013 39	Brake pedal rubber	1	



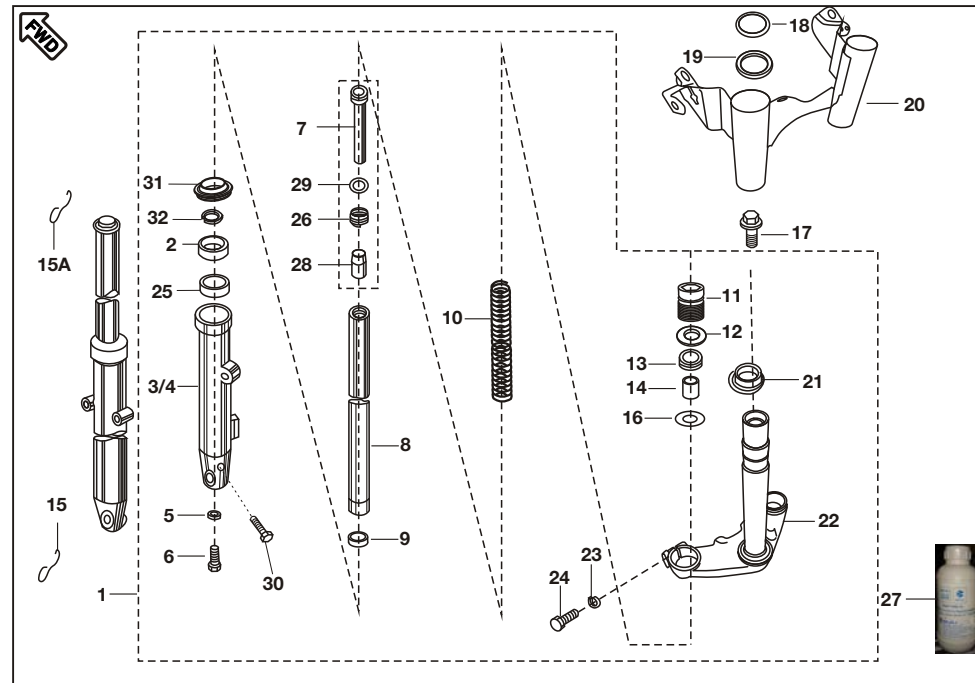
No.	Part No.	Description	Qty/ Veh.	Remarks
1	DK 1810 39	Upper Bracket	1	Silver colour
	DK 1810 63	Upper Bracket	1	Black colour
2	36 DK00 91	Kit Hall Sensor (Blinker Self Cancellation)	1	( 220 F)
	36 DJ40 30	Kit Hall Sensor (Blinker Self Cancellation)	1	( 220 SF)
3	DK 1810 85	Holder handle RH	1	Silver colour
	DK 1810 62	Holder handle RH	1	Black colour
4	DK 1810 81	Holder handle LH	1	Silver colour
	DK 1810 60	Holder handle LH	1	Black colour
5	DG 1810 08	Allen bolt	4	
6	DK 2010 70	Control switch LH	1	(220 F)
	JC 2010 17	Control switch LH	1	(220 SF)
7	DK 2010 71	Control switch RH	1	(220 F)
	JC 2010 18	Control switch RH	1	(220 SF)
8	DJ 1910 69	Lever & Holder Assly LH	1	
	DJ 1910 82	Lever & Holder Assly LH	1	(for Transil Diode Type Clutch Switch) from Chs. no. UCJ73042)
9	DJ 1910 55	Lever LH	1	
	DJ 1910 83	Lever LH (from Chs. no. UCJ73042)	1	(for Transil Diode Type Clutch Switch)
10	DL 1910 14	Stud lever handle	1	
11	39 1184 15	Self locking nut	1	
12	36 DK00 19	Hardware Holder kit LH	1	Ref. page no. 69
13	DH 1910 07	Grip LH	1	
14	DH 1910 08	Grip RH	1	



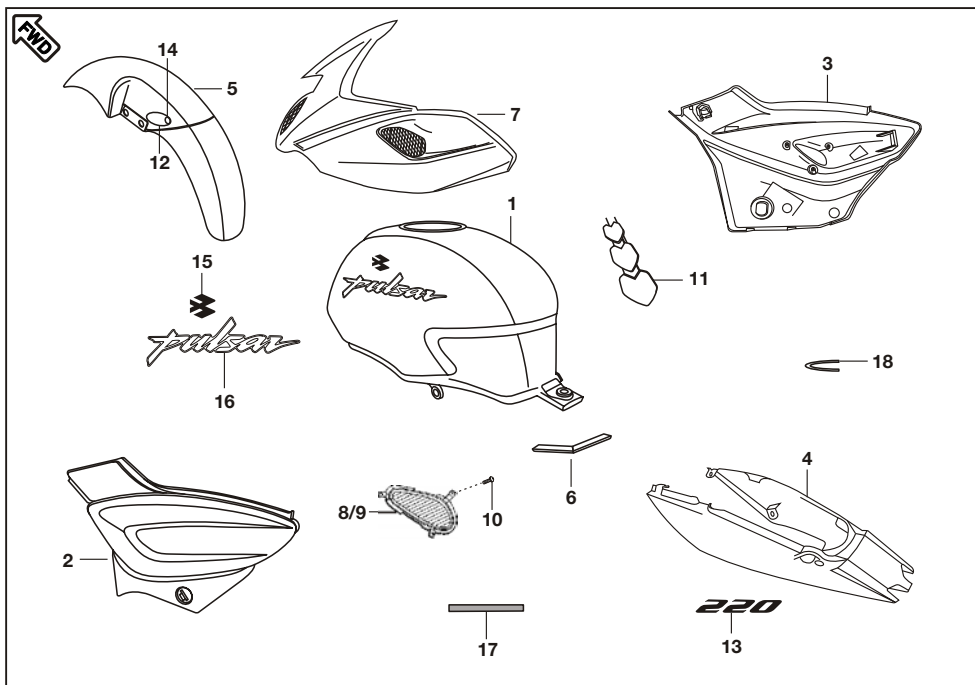
No.	Part No.	Description	Qty/ Veh.	Remarks
15	DH 1910 19	Boot for lever	1	
16	DH 1810 22	Handle bar weight	2	(220 F)
	DJ 1810 11	Handle bar weight	2	(220 SF)
17	39 2427 04	Hex. soc. hd. cap screw	2	
18	DK 2010 15	Switch assly. ignition	1	(220 F)
	JC 2010 45	Switch assly. ignition	1	(220 SF)
19	39 1943 04	Flange bolt	2	
20	DK 2010 83	Clutch Switch	1	(220 F)
	DJ 2011 95	Clutch Switch	1	(220 SF)
	DJ 2012 46	Clutch Switch (Transil Diode Type)	1	(220 SF & F)(from Chs. no. UCJ73042)
21	DK 1810 36	Handle bar plug	2	
22	DK 1810 82	Handle bar tube assly. LH	1	
23	DK 1810 86	Handle bar tube assly. RH	1	
24	DH 1910 17	Pipe throttle	1	
25	DK 2210 22	Mirror holder LH	1	(220 F)
	DJ 1910 54	Mirror holder LH	1	(220 SF)
26	DK 2210 23	Mirror holder RH	1	(220 F)
	DK 2210 15	Mirror holder RH	1	(220 SF)
27	DK 1810 34	Lock set 4-in-1	1	(220 F)
	JC 1810 29	Lock set 4-in-1	1	(220 SF)
28	LA C000 20	Handle Bar bolt	2	



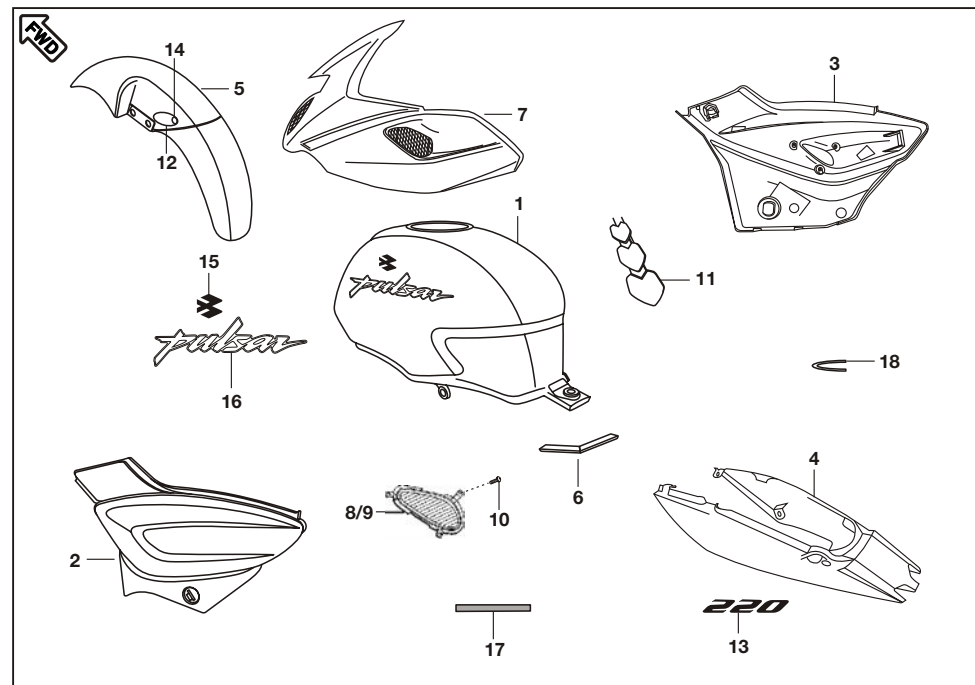
No.	Part No.	Description	Qty/ Veh.	Remarks
1	DK 1810 72	Fork front	1	
2	DK 1810 19	Oil seal	2	
3	DK 1810 56	Outer Tube LH	1	
4	DK 1810 57	Outer Tube RH	1	
5	DK 1810 07	Copper Washer	2	
6	DK 1810 06	Bolt	2	
7	DK 1810 10	Seat Pipe (Cylinder comp. fork)	2	
8	DK 1810 70	Pipe comp. suspension inner	2	
9	DK 1810 11	Slide Bush	2	
10	DK 1810 73	Spring front fork	2	
11	DK 1810 22	Bolt fork	2	
12	DK 1810 23	'O' ring	2	
13	31 1811 01	Seat fork spring	2	
14	DK 1810 71	Spacer Tube	2	
15	DK 1810 48	Clamp for brake hose lower	1	
15A	DK 1810 37	Clamp for brake hose upper	1	



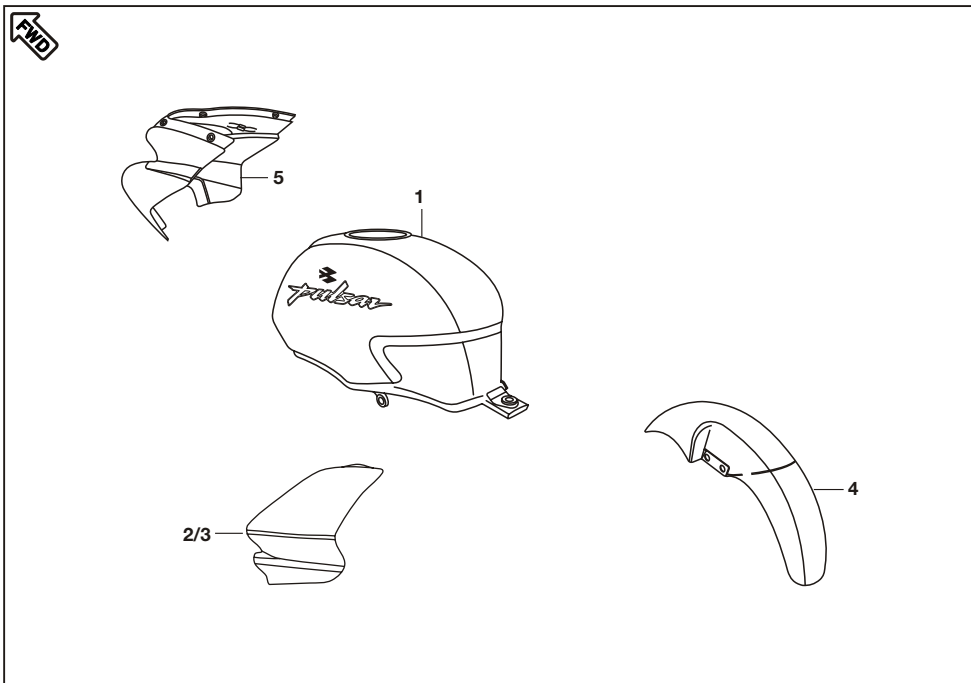
No.	Part No.	Description	Qty/ Veh.	Remarks
16	DK 1810 18	Washer	2	
17	59 0400 05	Bolt	1	
18	JC 1810 23	Cushion Rubber	2	
19	JC 1810 22	Cover Trail B	4	
20	JC 1810 24	Lamp Shade asly.	1	
21	DG 1810 05	Bearing cone	1	Included in kit 36 DV00 07
22	DK 1810 24	Holder fork under	1	
23	DK 1810 25	Spring washer	2	
24	DK 1810 08	Flange Bolt	2	
25	DK 1810 17	Guide bush	1	
26	DK 1810 13	Rebound spring	2	
27	36 3140 04	Fork Oil Bottle 160 ml	1	
28	DK 1810 09	Cap Oil Lock	2	
29	DK 1810 12	Piston Ring	2	
30	DK 1810 02	Bolt	2	
31	DK 1810 21	Inner Dust Seal	2	
32	DK 1810 20	Oil Seal Stopper	2	



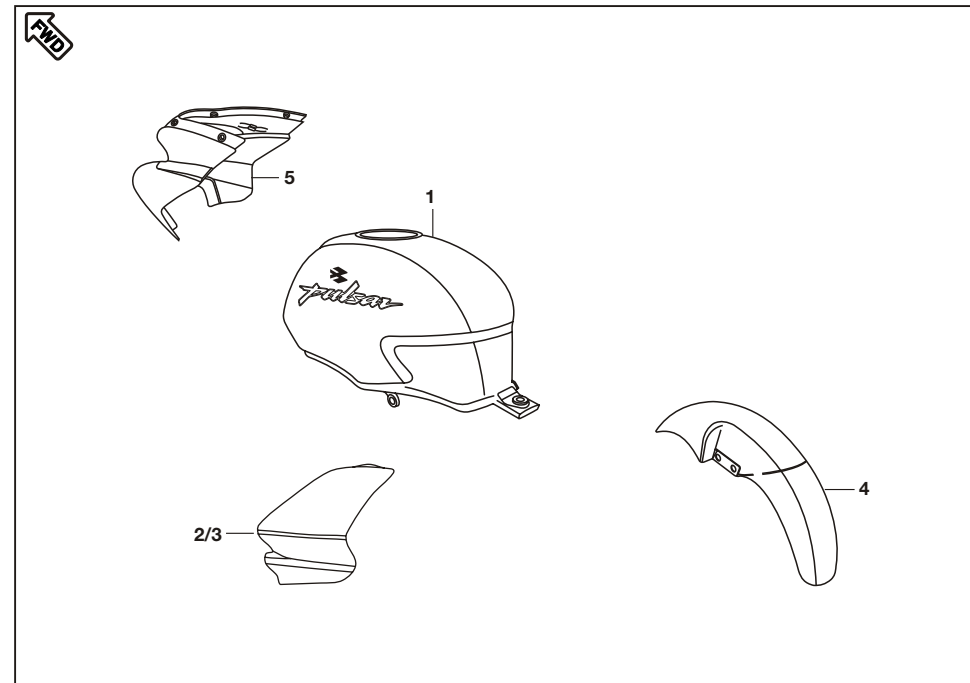
No.	Part No.	Description	Qty/ Veh.	Remarks	
1	DK 7103 2V	Fuel Tank	1	FOR WINE RED	
	DK 7103 4K	Fuel Tank	1	FOR PLASMA BLUE	
	DK 7103 4L	Fuel Tank	1	FOR GREY SILVER	
	DK 7103 4M	Fuel Tank	1	FOR MIDNIGHT BLACK	
	DK 7103 5C	Fuel Tank	1	FOR ORANGE METALLIC	
	DK 7104 5G	Fuel Tank with Dual Decal	1	PLASMA BLUE	
	DK 7104 5F	Fuel Tank with Dual Decal	1	WINE RED	
2	52 DH05 30	Side cover LH (for F&S)	1	FOR WINE RED	
	52 DH05 28	Side cover LH (for F&S)	1	FOR PLASMA BLUE	
	52 DH05 32	Side cover LH (for F&S)	1	FOR GREY SILVER	
	52 DH05 34	Side cover LH (for F&S)	1	FOR MIDNIGHT BLACK	
	52 DH05 31	Side cover RH (for F&S)	1	FOR WINE RED	
3	52 DH05 29	Side cover RH (for F&S)	1	FOR PLASMA BLUE	
	52 DH05 33	Side cover RH (for F&S)	1	FOR GREY SILVER	
	52 DH05 35	Side cover RH (for F&S)	1	FOR MIDNIGHT BLACK	
	4	DK 7303 2V	Seat Cowl Assly. (for F&S)	1	FOR WINE RED
		DH 7303 4K	Seat Cowl Assly. (for F&S)	1	FOR PLASMA BLUE
DH 7303 4L		Seat Cowl Assly. (for F&S)	1	FOR GREY SILVER	
DH 7303 4M		Seat Cowl Assly. (for F&S)	1	FOR MIDNIGHT BLACK	
DH 7303 5C		Seat Cowl Assly. (for F&S)	1	FOR ORANGE METALLIC	
5	DK 7304 2V	Front Fender	1	FOR WINE RED	
	DK 7304 4K	Front Fender	1	FOR PLASMA BLUE	



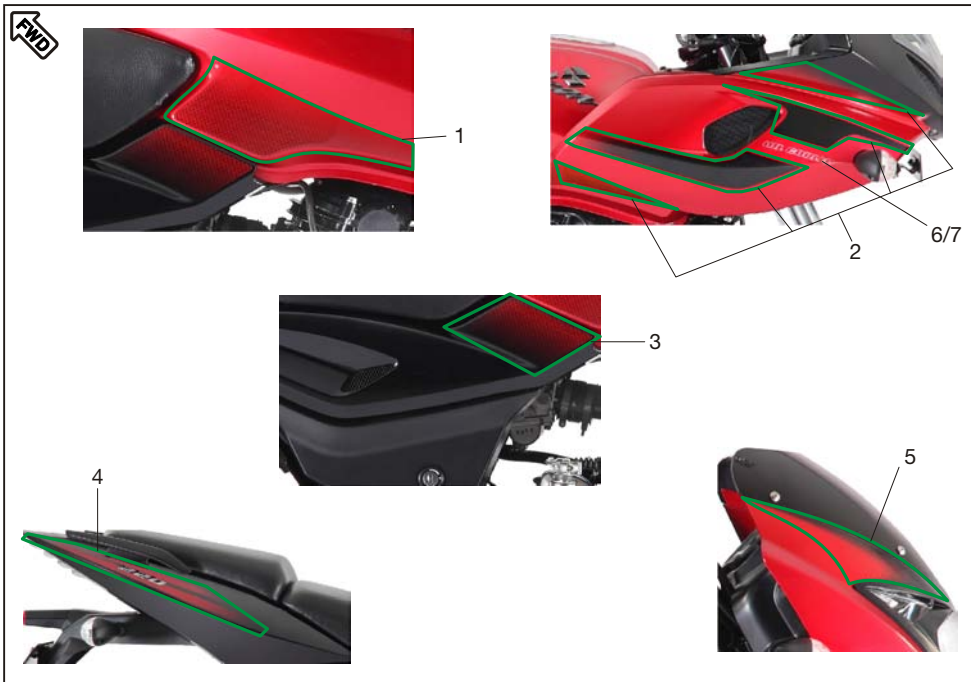
No.	Part No.	Description	Qty/ Veh.	Remarks	
6	DK 7304 4L	Front Fender	1	FOR GREY SILVER	
	DK 7304 4M	Front Fender	1	FOR MIDNIGHT BLACK	
7	DH 1410 20	Seat tape	1		
	DK 7401 2V	Fairing	1	FOR WINE RED	
	DK 7401 4K	Fairing	1	FOR PLASMA BLUE	
	DK 7401 4L	Fairing	1	FOR GREY SILVER	
	DK 7401 4M	Fairing	1	FOR MIDNIGHT BLACK	
	DK 7401 5C	Fairing	1	FOR ORANGE	
	52 DK02 01	Fairing 220 F with Decal Blue	1	220 F	
	52 DK02 00	Fairing 220 F with Decal Red	1	220 F	
	8	DK 1611 23	Cover Side Mesh LH	1	(For F&S)
	9	DK 1611 24	Cover Side Mesh RH	1	(For F&S)
10	59 0200 01	Self tap screw	6	(For F&S)	
11	DK 1410 15	Tank Pad	1	(For F&S)	
12	DS 1611 25	Guide cable	1		
13	DK 1612 55	Decal for seat cowl	1	Common for all	
	DK 1612 57	Decal for seat cowl	1	FOR ORANGE	
14	DJ 1610 69	Nail guide cable	1		
15	JC 1410 49	B Monogram	1		
16	JC 1410 39	Pulsar Tank Decal	1	For Red Blue Black	
	JC 1410 40	Pulsar Tank Decal	1	For Silver	
17	DK 1612 10	Foam Tape II	16		
18	DK 1810 74	Beading For Fairing	1		



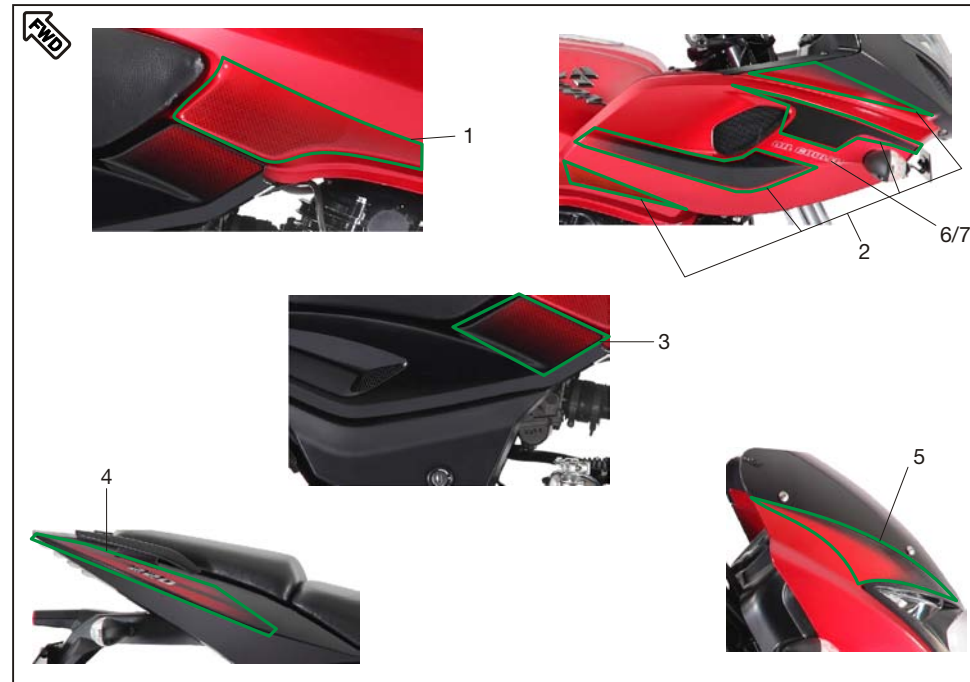
No.	Part No.	Description	Qty/ Veh.	Remarks
1	DK 7105 2V	Fuel Tank	1	FOR WINE RED
	DK 7105 4K	Fuel Tank	1	FOR PLASMA BLUE
	DK 7105 4L	Fuel Tank	1	FOR GREY SILVER
	DK 7105 4M	Fuel Tank	1	FOR MIDNIGHT BLACK
	DK 7105 5C	Fuel Tank	1	FOR ORANGE
	DK 7103 5G	Fuel Tank with Dual Decal	1	PLASMA BLUE
2	DK 7103 5F	Fuel Tank with Dual Decal	1	WINE RED
	JC 7201 2V	Tank Flap LH	1	FOR WINE RED
	JC 7201 4K	Tank Flap LH	1	FOR PLASMA BLUE
	JC 7201 4L	Tank Flap LH	1	FOR GREY SILVER
	JC 7201 4M	Tank Flap LH	1	FOR MIDNIGHT BLACK
3	JC 7201 5C	Tank Flap LH	1	FOR ORANGE
	JC 7202 2V	Tank Flap RH	1	FOR WINE RED
	JC 7202 4K	Tank Flap RH	1	FOR PLASMA BLUE
	JC 7202 4L	Tank Flap RH	1	FOR GREY SILVER
	JC 7202 4M	Tank Flap RH	1	FOR MIDNIGHT BLACK
	JC 7202 5C	Tank Flap RH	1	FOR ORANGE
	4	DK 7304 2V	Front Fender	1
DK 7304 4K		Front Fender	1	FOR PLASMA BLUE



No.	Part No.	Description	Qty/ Veh.	Remarks
5	DK 7304 4L	Front Fender	1	FOR GREY SILVER
	DK 7304 4M	Front Fender	1	FOR MIDNIGHT BLACK
	DH 7401 2V	Fairing	1	FOR WINE RED
	DH 7401 4K	Fairing	1	FOR PLASMA BLUE
	DH 7401 4L	Fairing	1	FOR GREY SILVER
	DH 7401 4M	Fairing	1	FOR MIDNIGHT BLACK
	DH 7401 5C	Fairing	1	FOR ORANGE

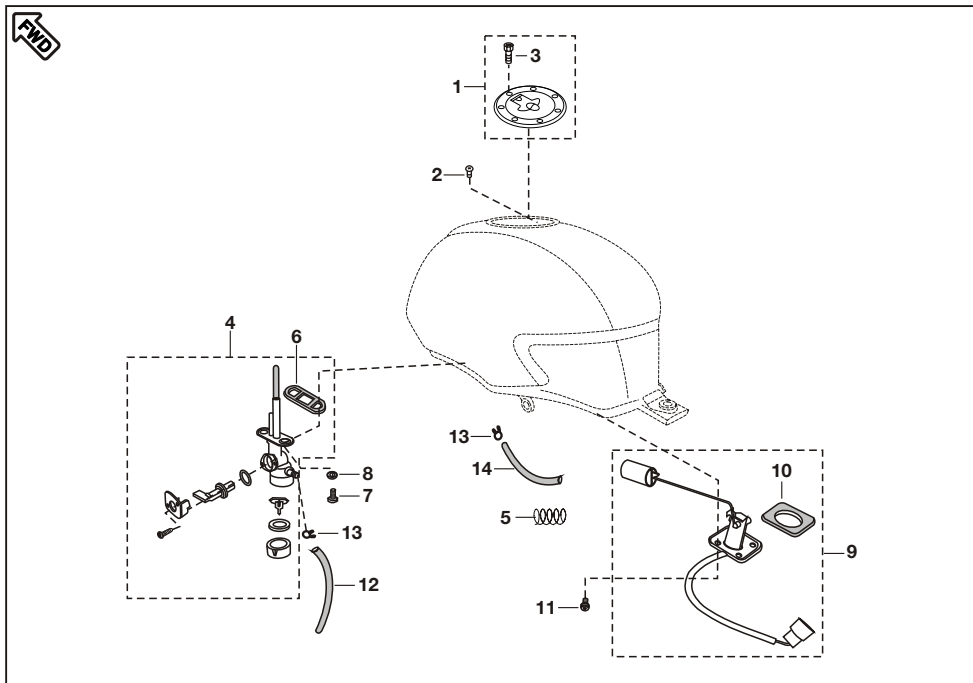


No.	Part No.	Description	Qty/ Veh.	Remarks
1	36 DK00 82	Kit Decal Tank 220 F Blue	1	220 F
	36 DK00 86	Kit Decal Tank 220 F Red	1	220 F
	36 DH40 34	Kit Decal Tank Pulsar Blue	1	220 SF
	36 DH40 37	Kit Decal Tank Pulsar Red	1	220 SF
2	36 DK00 83	Kit Decal Fairing 220 F Blue	1	220 F
	36 DK00 87	Kit Decal Fairing 220 F Red	1	220 F
3	36 DK00 84	Kit Decal Side Cover Blue	1	220 F / SF
	36 DK00 88	Kit Decal Side Cover Red	1	220 F / SF
4	36 DK00 85	Kit Decal Cowling 220 F Blue	1	220 F
	36 DK00 89	Kit Decal Cowling 220 F Red	1	220 F
	36 DH40 36	Kit Decal Cowling Pulsar Blue	1	220 SF
	36 DH40 39	Kit Decal Cowling Pulsar Red	1	220 SF
5	36 DH40 35	Kit Decal Fairing Pulsar Blue	1	220 SF
	36 DH40 38	Kit Decal Fairing Pulsar Red	1	220 SF

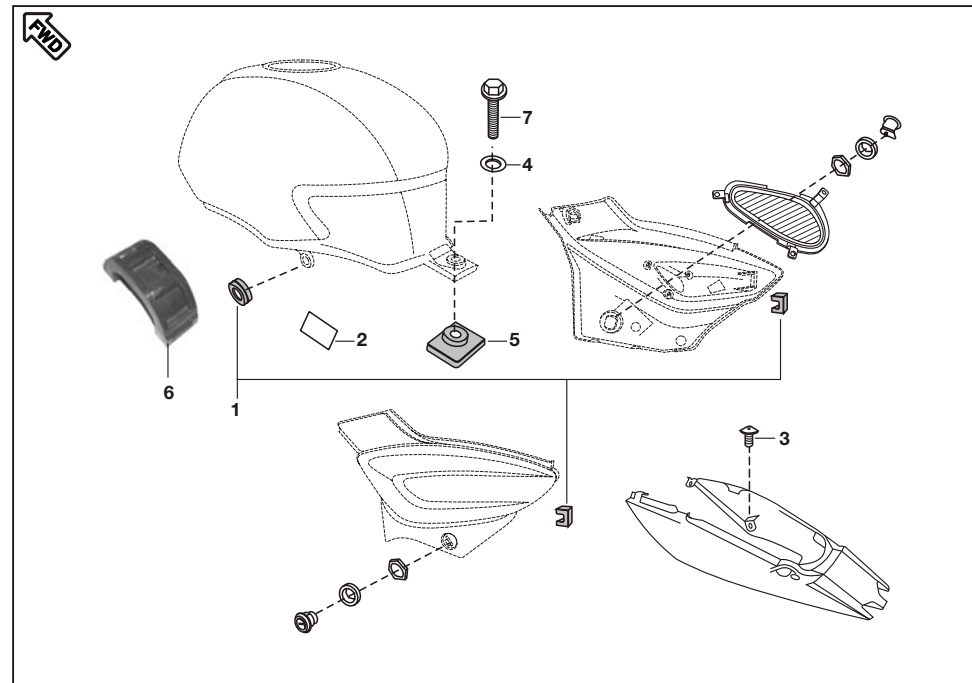


No.	Part No.	Description	Qty/ Veh.	Remarks
6	JC 1410 18	Decal Oil Cooled LHS	1	
7	JC 1410 19	Decal Oil Cooled RHS	1	
<p><b>Note - For Plasma Blue &amp; Passion Red Dual Color Decal Vehicles -</b>                      The painted parts Side Covers &amp; Seat Cowl are supplied without Dual tone decals.                      The above Dual Color Decals to be fixed on the exiting painted parts.                      The Seat Cowl &amp; Side Cover - Black Color is common.</p>				

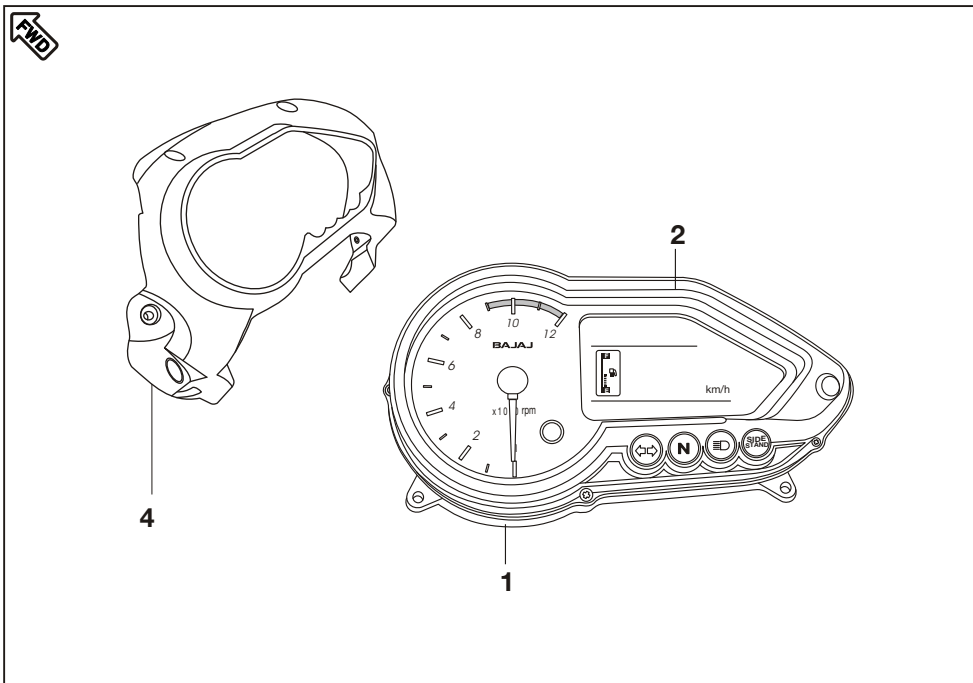




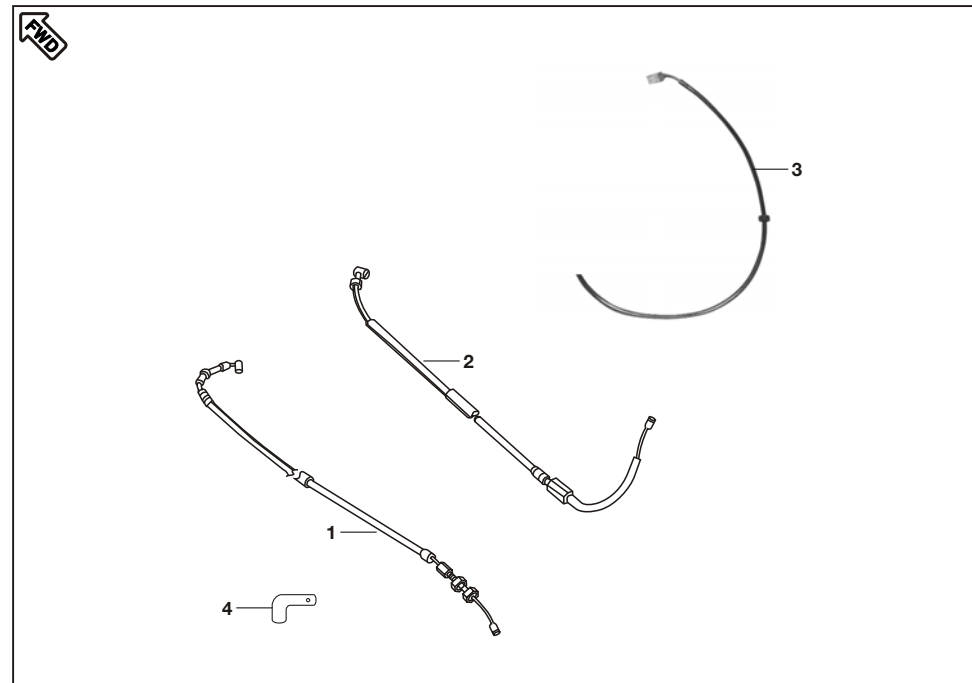
No.	Part No.	Description	Qty/ Veh.	Remarks
1	DK 1410 14	Cap Assly. Tank	1	
2	39 0840 01	Pan head screw	1	
3	39 2381 04	Hex. Soc Hd. cap screw	7	
4	DK 1410 01	Tap Assly	1	
5	JC 1410 34	Spring drain tube	1	
6	30 1410 36	Packing	1	
7	DD 1410 22	Bolt flanged	2	
8	39 0740 11	Plain Washer	2	
9	DK 2010 65	Gauge Fuel (Tank Unit)	1	
10	39 2758 21	Gasket fuel Gauge	1	
11	30 1410 32	Bolt	4	
12	52 DJ04 49	Tube fuel	1	
13	BA 1220 03	Pipe clip	1	
14	DH 1410 24	Drain tube	1	



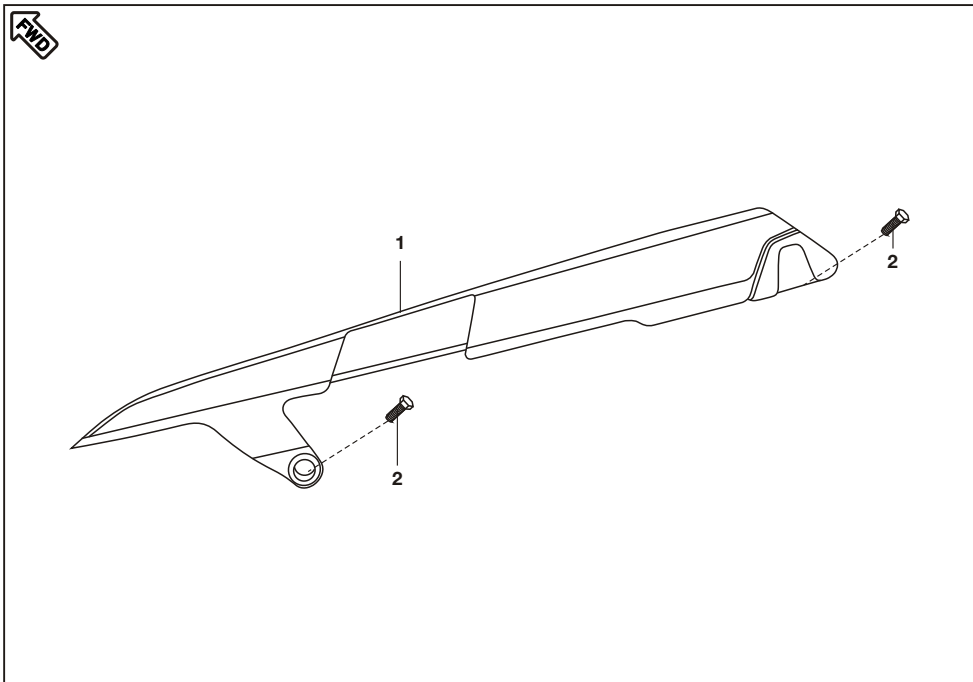
No.	Part No.	Description	Qty/ Veh.	Remarks
1	DK 1611 85	Grommet Kit For side cover	1	Ref. Page No. 69
2	DH 1410 31	Tape tank inner	2	
3	DG 1611 21	Screw	2	
4	39 2424 11	Plain Washer	1	
5	DH 1410 23	Damper Rear	1	
6	DJ 1410 08	Damper front	2	
7	39 1556 04	Flanged Bolt	1	



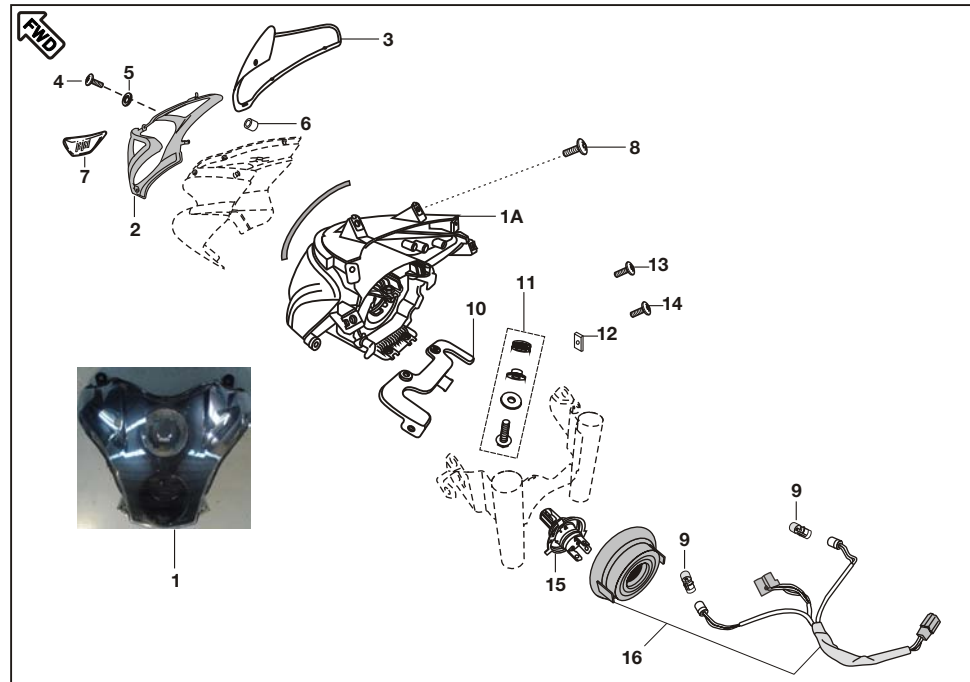
No.	Part No.	Description	Qty/ Veh.	Remarks
1	JC 1910 18	Meter Assly / Instrument Cluster	1	(220 F)
	JC 1910 14	Instrument Cluster	1	(220 SF)
2	DJ 2011 59	Speedometer top cover	1	
3	DJ 2011 82	Speedo gasket	1	N.I.
4	DJ 1811 19	Speedometer Back Cover Fairing	1	(220 SF)



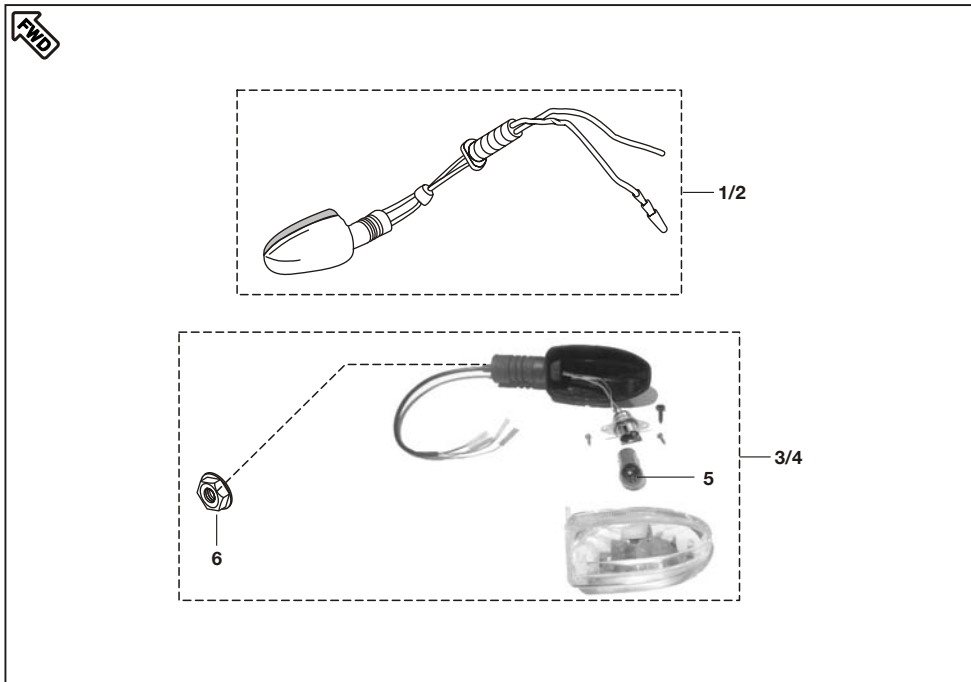
No.	Part No.	Description	Qty/ Veh.	Remarks
1	JC 1910 19	Assembly Throttle	1	
2	JC 1910 04	Cable Clutch	1	
3	DK 2010 98	Sensor speedometer cable	1	(F) With Sleeve
4	JC 2010 46	Stopper	1	



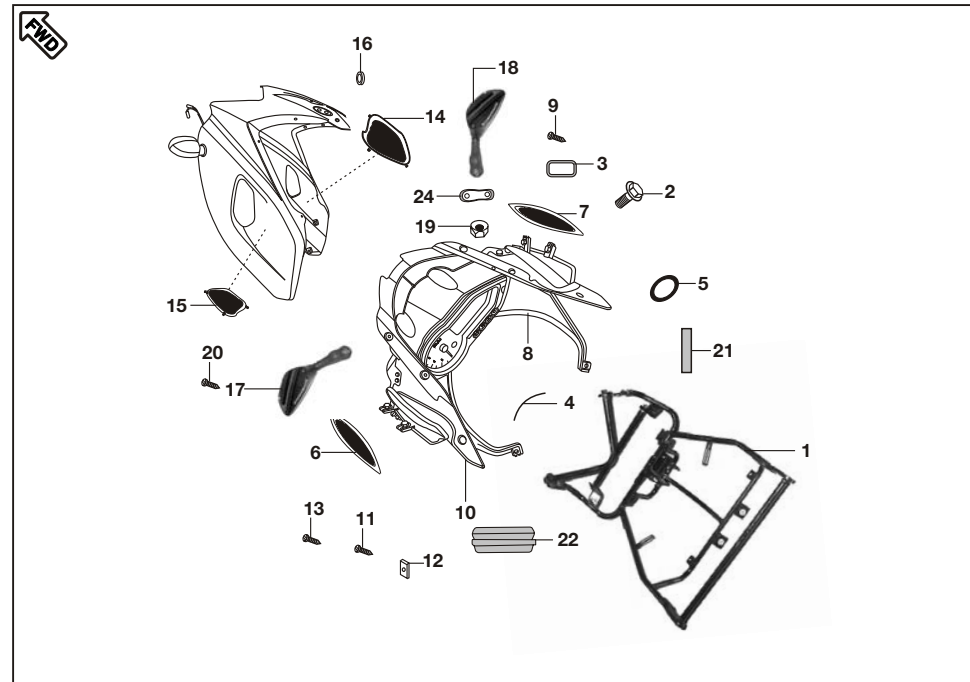
No.	Part No.	Description	Qty/ Veh.	Remarks
1	DK 1612 50	Cover chain	1	
2	DS 1612 24	Bolt	2	



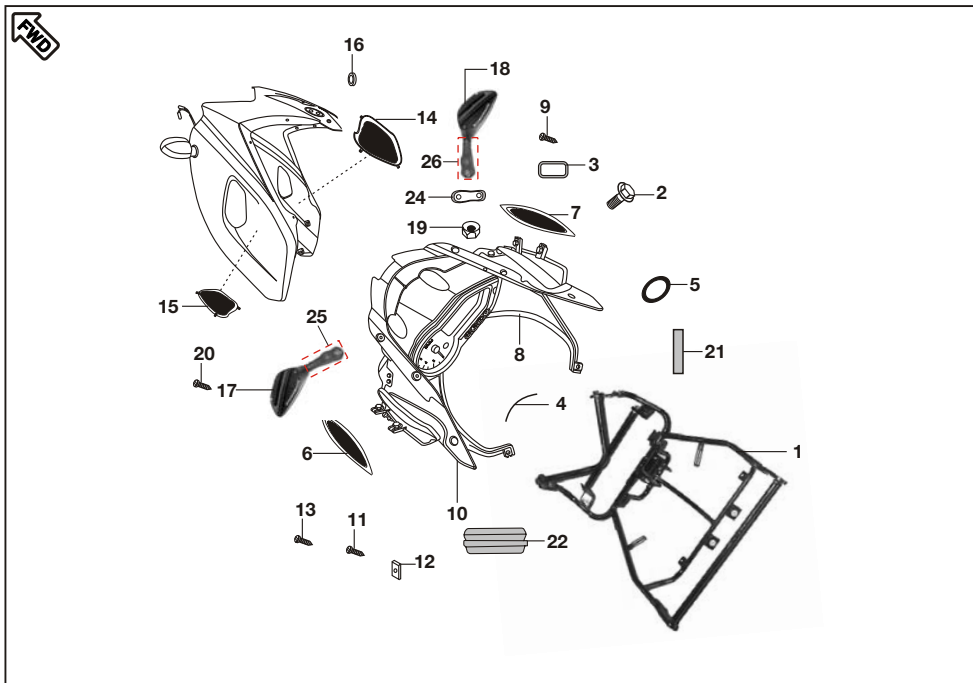
No.	Part No.	Description	Qty/ Veh.	Remarks
1	DK 2010 56	Head Lamp assly. without bulb	1	(220 F)
1A	DJ 2011 76	Head Lamp assly. without bulb	1	(220 SF)
2	DJ 1811 20	Back cover	1	
3	DK 1610 69	Wind Shield	1	(220 F)
	DJ 1810 33	Wind Shield	1	(220 SF)
4	DF 1810 98	Bolt	4	
5	39 2141 24	Non Metallic Washer	4	
6	DL 1810 10	Well Nut	4	
7	DK 1612 08	Decal Wind Shield	1	
8	39 1907 01	M5 x 15L mushroom HD	2	
9	DK 2010 44	Bulb	2	
10	DH 1810 52	Fairing mounting upper bracket	1	
11	36 DK00 21	Kit hardware mtg. bracket	1	Ref. page no. 69
12	DJ 1810 65	Clip Nut	4	
13	39 0716 01	Screw pan cross	2	
14	39 1524 01	Screw pan cross	2	
15	DK 2010 43	Headlight bulb	2	(220 F)
	JC 2010 09	Headlight bulb	1	(220 SF)
16	DK 2011 17	Wiring harness for HL	1	(220 F)
	DH 2010 40	Wiring harness for HL	1	(220 SF)



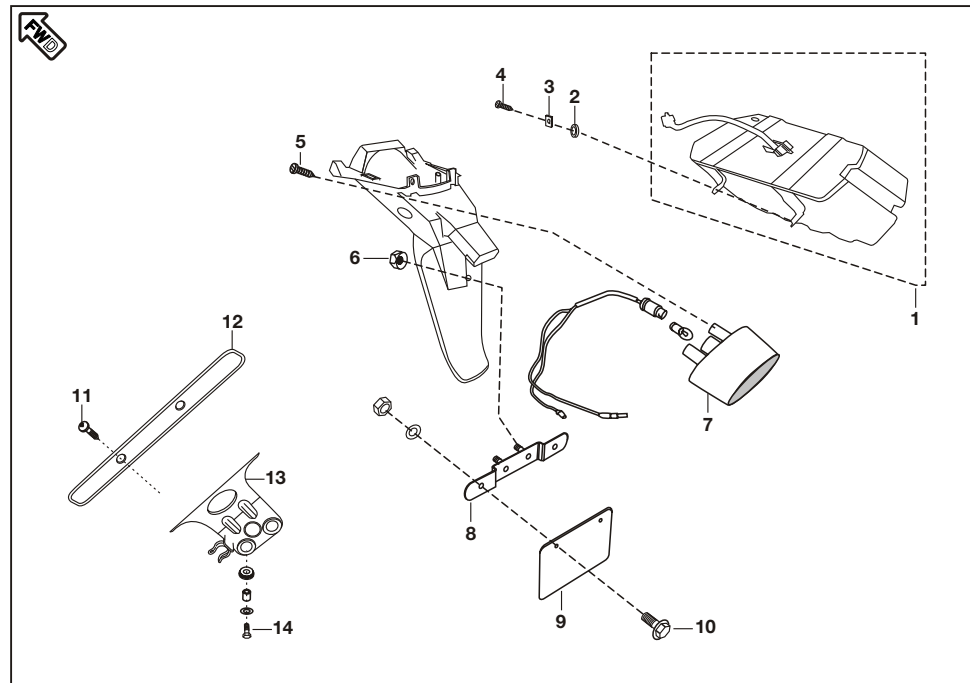
No.	Part No.	Description	Qty/ Veh.	Remarks
1	DJ 2012 07	Indicator front LH	1	
2	DJ 2012 06	Indicator front RH	1	
3	DJ 2012 06	Indicator rear LH	1	
4	DJ 2012 07	Indicator rear RH	1	
5	GH 2010 12	Lamp	1	
6	39 1970 15	Hex Nut Flange	4	



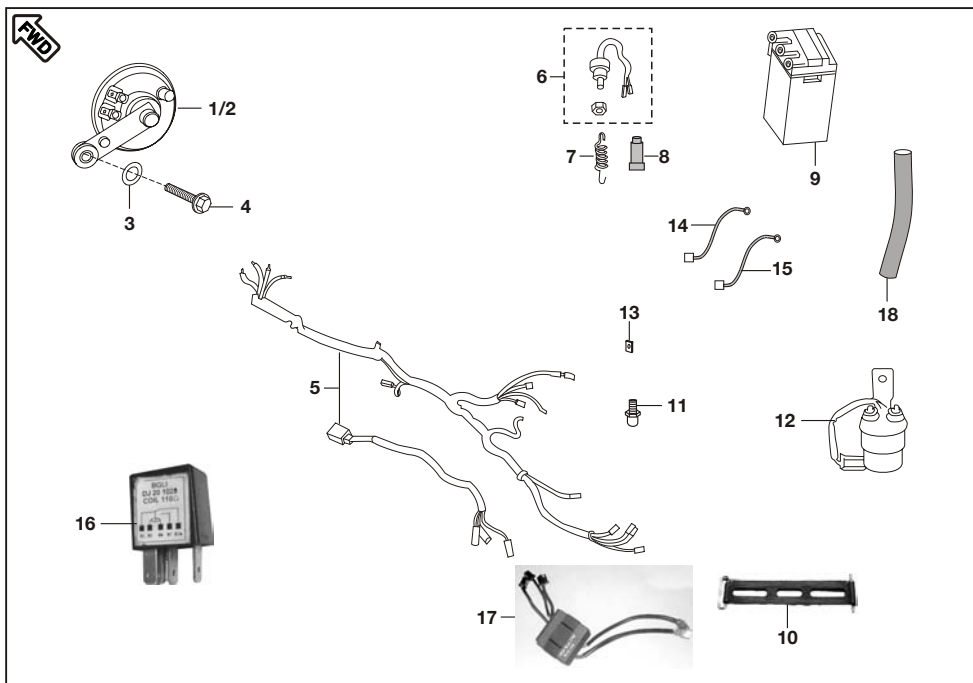
No.	Part No.	Description	Qty/ Veh.	Remarks
1	52 DK01 44	Faring mtg. structure	1	
2	39 1956 04	Flange bolt	2	
3	DK 1610 81	Rubber grommet Fairing mtg.	4	
4	DK 1610 82	Sleeve Fairing	1	
5	DK 1611 26	Damper for fairing	4	
6	DK 1610 70	Fairing air intake LH	1	
7	Dk 1610 71	Fairing air intake RH	1	
8	DK 1610 72	Fairing under cover	1	
9	59 0200 01	Self tapping screw	4	
10	DK 1610 73	Fairing back cover assly.	1	
11	39 1778 02	Self tapping screw for speedo	1	
12	DJ 1612 29	Clip nut	1	
13	39 1907 01	Screw	12	
14	DK 1610 76	Fairing mesh LH	1	
15	DK 1610 77	Fairing mesh RH	1	



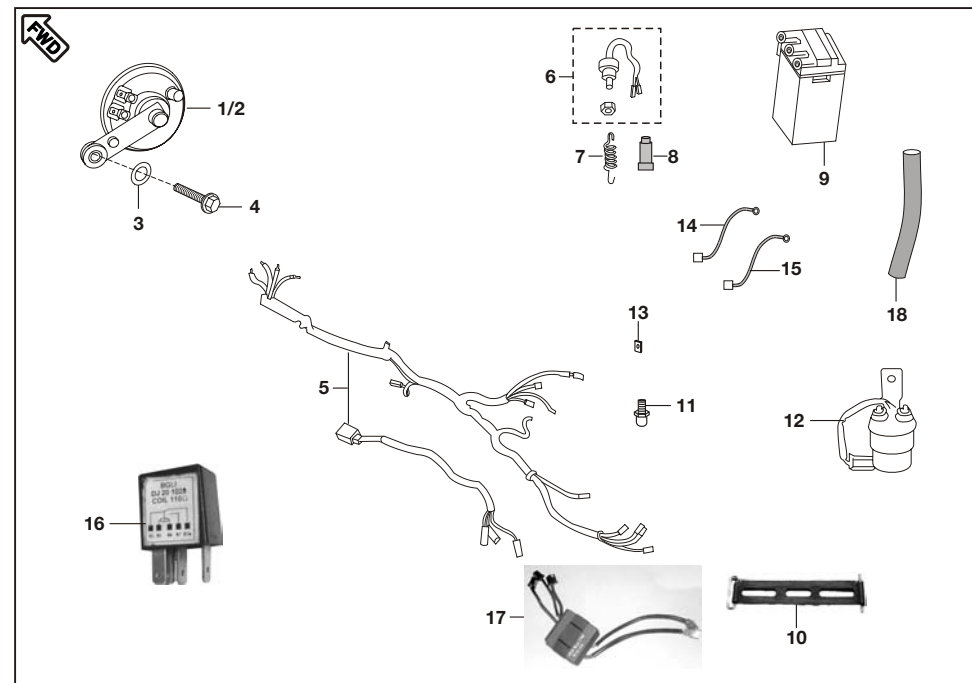
No.	Part No.	Description	Qty/ Veh.	Remarks
16	39 1918 24	Washer	6	
17	DK 2210 14	Mirror assly. LH	1	(220 F)
	DJ 2210 03	Mirror assly. LH	1	(220 SF)
18	DK 2210 15	Mirror assly. RH	1	(220 F)
	DJ 2210 04	Mirror assly. RH	1	(220 SF)
19	DK 2210 01	Nut for mirror	1	
20	59 0200 01	Screw (self tapping)	6	
21	DK 1612 10	Tape	16	
22	JN 1814 06	Beading	1	
23	DK 1611 52	Nylon bush for fairing	2	
24	DK 1611 25	Rubber for mirror	2	
25	DK 2210 20	Rubber Boot LH (Long)	1	
26	DK 2210 21	Rubber Boot RH (Long)	1	



No.	Part No.	Description	Qty/ Veh.	Remarks
1	DK 2010 03	Tail light with Lamp	1	
2	DH 1612 93	Damper	2	
3	DK 1611 53	Clip Nut	4	
4	59 0100 13	Screw pan cross	4	
5	39 0705 01	Truss Screw	2	
6	39 1972 15	Bolt flange	2	
7	JW 4010 11	No. Plate illumination	1	
8	DJ 1610 72	Rear No. plate bkt.	1	
9	DP 1611 45	Number plate Rear	1	
10	39 1680 04	Hex Flanged Bolt	2	
11	39 1783 01	Truss Screw	2	For Front No. Plate
12	DP 1611 44	Number plate front	1	
13	DS 1810 26	No. plate mounting bracket	1	(220 F)
	JC 1610 26	No. plate mounting bracket	1	(220 SF)
14	39 1773 04	Bolt flange	2	
15	DK 1611 64	Blinker mounting bracket	1	

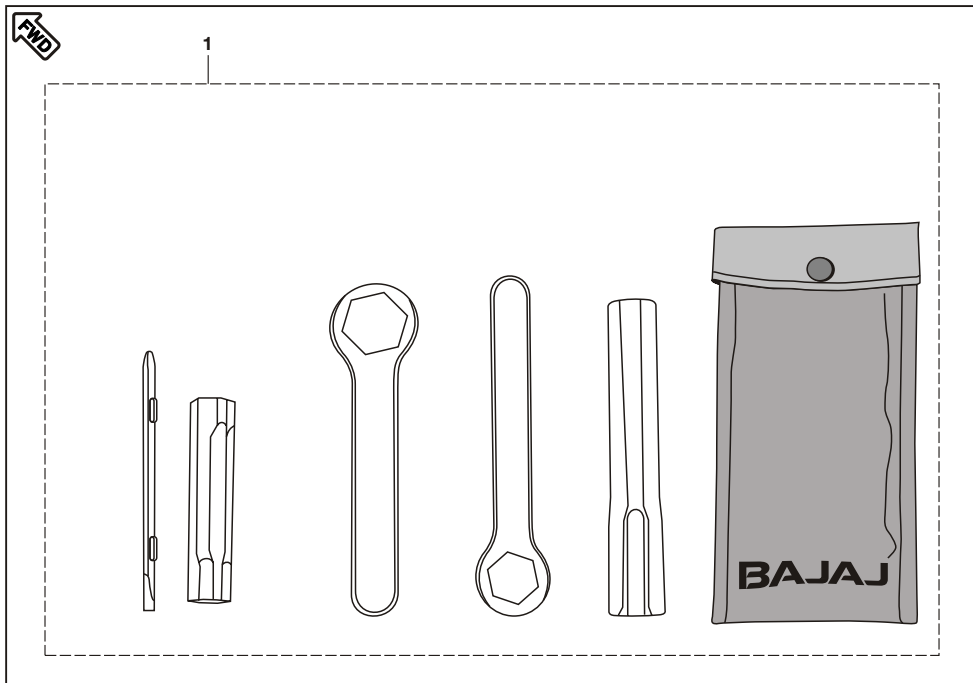


No.	Part No.	Description	Qty/ Veh.	Remarks
1	DK 2010 37	Horn LH stay	1	
2	DK 2010 38	Horn RH stay	1	
3	39 1507 11	Plain Washer	1	
4	39 1956 04	Flange Bolt	1	
5	JC 2010 41	Wiring Harness	1	(220 F)
	JC 2010 37	Wiring Harness	1	(220 SF)
6	31 2010 79	Rear Brake Switch	1	
7	DK 1910 14	Spring Brake Switch	1	
8	DH 2010 19	Grommet Rear Brake Switch	1	
9	DJ 2011 26	Dry Battery (12V-9A)	1	
10	DJ 1612 47	Band Battery	1	
11	39 1551 04	Flange Bolt	1	
12	DK 2010 78	Starter Relay / Damper	1	
13	DJ 1810 65	Clip Nut	4	

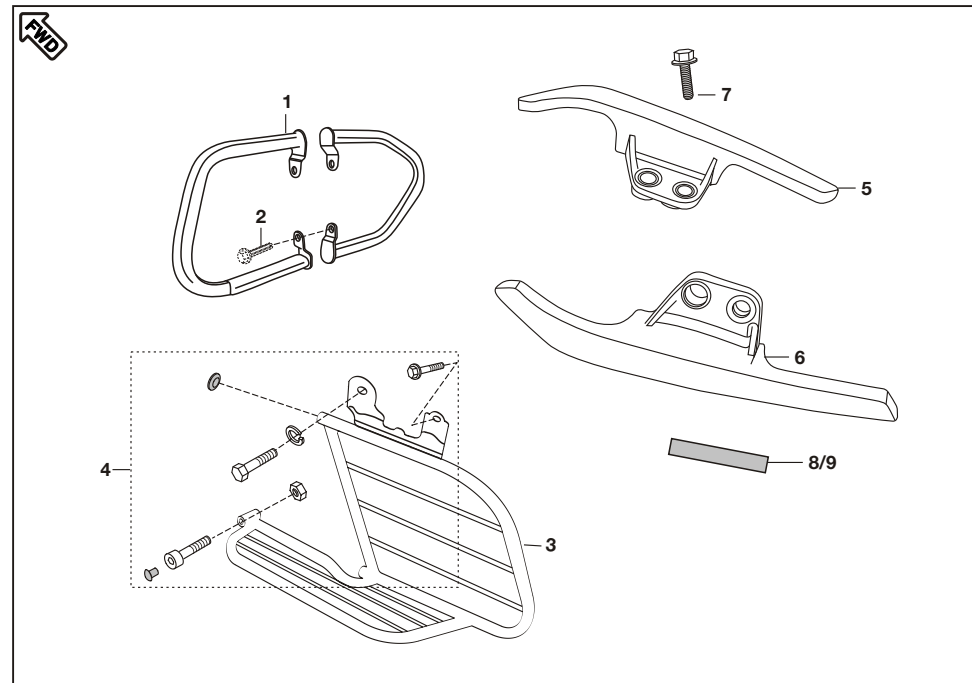


No.	Part No.	Description	Qty/ Veh.	Remarks
14	JC 2010 27	Cable assly. (Battery to St. Relay)	1	
15	DJ 2011 40	Cable assly. (Battery to Earth)	1	
16	AL 2010 12	Main relay	1	
17	JC 2010 40	B.C.U.	1	(220 F)
	JC 2010 16	B.C.U.	1	(220 SF)
18	JD 4018 06	Battery Drain Pipe	1	





No.	Part No.	Description	Qty/ Veh.	Remarks
1	DK 2210 11	Tool Kit	1	
2	DK 2210 24	Band tool kit	2	N.I.



No.	Part No.	Description	Qty/ Veh.	Remarks
1	36 DK00 33	Leg Guard Kit	1	
2	39 2310 04	Flange bolt	4	
3	DK 1611 76	Sari Guard Assly.	1	
4	36 DK00 23	Kit hardware sari guard	1	Ref. page no. 69
5	DK 1611 47	Grab handle LH	1	
	DK 1612 17	Grab handle LH	1	Black color
6	DK 1611 48	Grab handle RH	1	
	DK 1612 18	Grab handle RH	1	Black color
7	39 2310 04	Bolt Flange	4	
8	DJ 1610 79	Foam LH For grab	1	
9	DJ 1610 80	Foam RH For grab	1	

## KIT LIST



Sr. No.	Kit Part No.	Kit Description	Consisting of Following Parts		
			Part No.	Description	Qty./Kit
1	36DS1001	Cyl. Head O Ring Kit	39239121	O Ring (Cover tappet)	2
			39128321	O ring	2
2	DK101327	Valve Kit	DK101052	Valve Intake	1
			DK101011	Valve Exhaust	1
3	DK101326	Valve Repair Kit	DK101247	Retainer valve spring	2
			DK101108	Spring valve inner	2
			DK101110	Spring valve outer	2
			DK101246	Seat valve spring	2
4	DK101330	Guide Chain Kit	DK101611	Guide chain (Tight)	1
			DK101059	Guide Chain (slack)	1
5	DK101328	Ring set piston	DK101049	Ring piston top	1
			DK101050	Ring piston second	1
			DK101051	Ring piston oil	1
6	36DK0007	Kit centrifugal oil filter	39220011	Washer	1
			DH101234	Gasket centrifugal oil filter	1
			DH101640	Oval screw	3
			DH101066	Join oil delivery	1
			DH101067	Spring oil delivery	1
			39219908	Pin oil delivery joint	1
7	DK101334	Set Damper (cover magneto)	DK101191	Damper Cover Magneto	1
			DH101292	Damper A Cover LH RR	1
			DH101294	Damper B Cover LH RR	1
8	DK101333	Set of Plate (cover magneto)	DK101192	Plate Damper	1
			DH101293	Plate Damper Cover LH RR	1
9	36DK0011	Kit hardware engine mounting	39231204	Bolt flange	4
			39197015	Nut flange	8
			39241304	Bolt flange	1
			DH161245	U Nut	3
10	36DV0007	Bearing cone kit	DG181045	Bearing cone	1
			DG181046	Bearing race	1
			DG181047	Upper bearing race	1
			DG181005	Lower bearing race	1
11	36DK0012	Kit bush rear shock absorber	39071411	Plain washer	8
			39071215	Dome cap nut	2
			39073712	Spring washer	2
12	36DK0013	Kit hardware pillion	DJ161186	Plait side pillion step	2
			DH161061	Pin pillion set	2
			30141031	"O" ring	2
			39104011	Plain washer	2
			39078408	Split pin	2
13	36DK0040	Chain sprocket kit	DV101048	Sprocket drive	1
			DK151010	Sprocket	1
			DK151060	Chain	1

## KIT LIST



	Kit Part No.	Kit Description	Consisting of Following Parts		
			Part No.	Description	Qty./Kit
14	36DK0019	Hardware holder kit LH	30191024	Screw	1
			30191017	Nut	1
			39021911	Plain washer	1
			39072504	Hex bolt	1
15	36DK0021	Kit hardware mtg. bracket	DJ181029	Collar fearing mtg.	1
			DJ181036	Grommet fearing structure	1
			39021111	Plain washer	1
			39155304	Flange bolt	1
16	DK161185	Grommet kit for side cover	DH161158	Grommet side cover front	2
			DH161133	Grommet side cover rear	2
17	36DK0023	Kit hardware saree guard	DH161255	Bolt special	1
			39078912	Washer spring	1
			39008004	Bolt hexagaon	1
			59040013	Bolt hex socket	1
			39029615	Hexagaon nut	1
			DH161144	Cap saree guard	1
			DD221003	Plug	1
18	36DK0050	St. Mtr. Repair Kit	DK111017	Brush assly. kit	1
			DK111019	'O' ring for spigot	1
			DK111020	Oil Seal for yoke	1
19	36JC0015	Starter Motor Repair kit	JC111018	Drive end bracket	1
			JC111019	Bracket rear end	1
20	36DK0058	Piston valve assly. Kit		Piston valve assly.	1
				Spring (CO)	1
				Diaphragm	1
				Holder	1
				Spring	1
				E Spring	1
				Ring	1
				Jet Needle	1
				Ring	1
				Washer	1
21	DK121048	Pilot screw kit		O ring	1
				Adjuster	1
				Spring	1
				Washer	1
				O ring	1
22	DK161241	Vacuum Adjuster kit		Spring	1
				Adjust Screw	1
				Packing	1

Kit Part No.	Kit Description	Consisting of Following Parts		
		Part No.	Description	Qty./Kit
23	36DK0059 Main Jet kit		Needle jet Main jet Jet holder O ring Pilot Jet	1 1 1 1 1
24	36DK0060 Float chamber body kit		O ring Float body assly. Assly. Screw Drain Screw O ring	1 1 4 1 1
25	36DK0061 Tap Cap assly. Kit		Diaphragm cover Screw	1 4
26	36DK0062 Solenoid assly. Kit	JC120026 39178001	Solenoid assly. Screw 'O' ring	1 2 1
27	DK151088 Piston Kit		Piston Piston Seal Scrapper Ring	1 1 1
28	DK151089 Kit Piston Seal		Piston Seal Scrapper Ring	1 1
29	DK151090 Insulator Kit		Dust Cover Insulator	1 1
30	36DK0050 Starter Motor repair kit	DK111017 DK111019 DK111020	Brush Assly Kit 'O' ring for spigot Oil seal for yoke	1 1 1
31	36DK0051 Starter Motor Cover kit	DK101014 DK101015	Drive end bracket Bracket Rear end	1 1

Amendment Sheet (Parts Added)					
Sr.No.	Part No.	Description	Qty.	Page No.	Fig.No.

# SPC Updation Details



Page no.	Fig. no.	Old part no.	New part no.	Description	Updation date	Remarks
46	8	-----	DJ191082	Lever & Holder Assly LH	30.01.12	For Transil Diode Type Clutch Switch
46	9	-----	DJ191083	Lever LH	30.01.12	For Transil Diode Type Clutch Switch
47	20	-----	DJ201246	Clutch Switch	30.01.12	Transil Diode Type
40	10	DJ151088	JG131219	Coupling Rubber	30.01.12	Product Improvement
2	1	-----	36DK0090	Cylinder Head	30.01.12	(W/o NRB) from Eng. BUF67894
3	1	-----	DK101748	Rocker Arm Intake	30.01.12	(W/o NRB) from Eng. BUF67894
3	2	-----	DK101751	Rocker Arm Exhaust	30.01.12	(W/o NRB) from Eng. BUF67894
3	3	-----	DK101755	Rocker Arm	30.01.12	(W/o NRB) from Eng. BUF67894
3	8	-----	DH101295	Wave Washer	30.01.12	(W/o NRB) from Eng. BUF67894
3	9	-----	39244011	Plain Washer	30.01.12	(W/o NRB) from Eng. BUF67894

# SPC Updation Details



Page no.	Fig. no.	Old part no.	New part no.	Description	Updation date	Remarks



## PART INDEX

*pulsar* ATS-J  
220

Part No.	Figure No.	Page No.
39118415	46	11
39119704	10	6
39128321	2	5
39150711	64	3
39152401	59	14
39155104	64	11
39155604	55	7
39162011	7	9
39167204	7	3
39167204	14	27
39167204	21	5
39167304	4	13
39167404	2	8
39167404	7	11
39167404	18	9
39167404	25	2
39167404	26	3
39167704	14	20
39168004	27	16
39168004	30	7
39168004	34	5
39168004	63	10
39168606	7	8
39168606	25	4
39175904	2	16
39176511	22	4
39177304	63	14
39177802	61	11
39178001	20	12
39178001	22	5
39178301	63	11
39188020	18	11
39190204	11	6
39190204	24	6
39190204	26	14
39190701	59	8
39190701	61	13
39191824	62	16
39193120	6	6

Part No.	Figure No.	Page No.
39194304	47	19
39194404	26	13A
39195604	61	2
39195604	64	4
39196704	29	10
39197015	60	6
39197215	63	6
39199020	16	22
39199715	40	6
39201719	3	5
39203604	41	20
39213217	5	4
39214124	59	5
39215220	7	5
39215704	29	7
39215811	8	2
39216011	8	9
39216511	6	3
39216611	8	11
39218006	12	8
39218106	2	15
39218106	5	2
39218106	12	11
39218304	6	2
39218520	13	10
39218819	13	4
39218919	13	11
39219019	13	12
39219421	25	6
39220011	19	17
39220307	6	8
39224020	17	8
39224120	37	2
39231004	29	13
39231004	42	5
39231004	67	2
39231004	67	7
39238104	54	3
39241204	29	8

## PART INDEX

*pulsar* ATS-J  
220

Part No.	Figure No.	Page No.
39241204	29	14
39242411	55	4
39242704	47	17
39244011	3	9
39244311	16	17
39244811	14	24
39245711	29	15
39247504	32	8
39248104	42	7
39255717	7	7
39258204	33	8
39258320	12	6
39260120	12	9
39260320	13	8
39260607	10	7
39260801	2	10
39264715	1	6
39266921	4	1
39268620	40	2
39268720	40	3
39269704	21	8
39275821	54	10
52DH0169	25	1
52DH0177	7	10
52DH0528	50	2
52DH0529	50	3
52DH0530	50	2
52DH0531	50	3
52DH0532	50	2
52DH0533	50	3
52DH0534	50	2
52DH0535	50	3
52DH0624	17	1
52DH0686	17	1
52DJ0449	54	12
52DK0144	61	1
52DK0167	33	1
52DK0168	33	2
52DK0172	17	1

Part No.	Figure No.	Page No.
52DK0200	51	7
52DK0201	51	7
52DK0203	17	1
52DK0204	15	1
52JN0136	1	2
59010013	63	4
59020001	51	10
59020001	61	9
59020001	62	20
59040005	49	17
59040023	1	8
59040040	34	2
59040043	29	11
59040048	39	2
59050002	2	2
59050002	12	3
59050002	13	2
59110002	3	9
59200006	13	9
59200007	28	9
59200007	28	17
59200027	12	7
59210006	13	5
AL201012	65	16
AP121064	22	6
BA122003	54	13
CS101128	4	14
DD101062	4	15
DD111012	26	10
DD121007	5	9
DD141022	54	7
DE151008	37	6
DE151012	37	5
DE151037	39	6
DE151043	39	7
DE151046	39	4
DE151047	39	5
DE151048	39	3
DE151051	39	9



## PART INDEX



Part No.	Figure No.	Page No.
DE151052	39	10
DE191010	38	5
DE191010	42	11
DE191011	38	4
DE191028	38	14
DE191029	38	13
DE191030	38	10
DE191033	38	6
DE191035	38	15
DE191043	38	1
DF161102	35	9
DF181098	59	4
DG101029	3	4
DG101339	45	2
DG101339	45	7
DG101418	15	7
DG101498	1	11
DG101498	14	17
DG151005	37	4
DG151007	37	13
DG151008	37	9
DG151008	41	18
DG151049	37	10
DG151049	41	19
DG161121	55	3
DG171018	31	5
DG171019	31	7
DG171034	31	10
DG171038	31	2
DG181005	49	21
DG181008	46	5
DH101048	4	8
DH101064	6	9
DH101065	6	11
DH101072	7	2
DH101079	8	4
DH101079	8	13
DH101084	8	8
DH101111	8	15

Part No.	Figure No.	Page No.
DH101113	26	6
DH101141	15	4
DH101142	15	5
DH101143	11	2
DH101144	11	3
DH101146	10	3
DH101152	16	21
DH101154	15	12
DH101163	28	16
DH101169	14	22
DH101172	28	7
DH101195	6	10
DH101197	15	2
DH101203	13	13
DH101235	8	5
DH101235	9	16
DH101246	13	14
DH101272	1	10
DH101275	18	2
DH101293	17	6
DH101295	3	8
DH101319	9	19
DH101333	9	20
DH101373	7	12
DH101381	27	19
DH101385	28	5
DH101389	28	14
DH101390	14	21
DH101392	4	11
DH101393	11	7
DH101394	11	10
DH101412	4	7
DH101414	5	6
DH101424	7	6
DH101432	7	4
DH101487	12	10
DH101493	10	4
DH101496	10	9
DH101508	2	4

## PART INDEX



Part No.	Figure No.	Page No.
DH101544	16	16
DH101581	28	4
DH101607	23	3
DH101608	23	2
DH101648	19	15
DH101661	14	16
DH101896	12	5
DH111012	2	9
DH111015	26	9
DH111016	27	17
DH111081	26	1
DH111083	26	2
DH121010	25	3
DH121011	15	14
DH121012	15	15
DH121020	22	3
DH121035	25	5
DH121038	2	7
DH121063	20	17
DH121101	20	10
DH141020	51	6
DH141023	55	5
DH141024	54	14
DH141031	55	2
DH161046	24	3
DH161053	32	4
DH161066	35	7
DH161100	32	7
DH161112	30	2
DH161121	35	4
DH161145	35	5
DH161146	35	8
DH161189	29	2
DH161190	29	3
DH161194	32	5
DH161273	29	9
DH161293	63	2
DH161377	22	12
DH171019	31	8

Part No.	Figure No.	Page No.
DH171019	37	8
DH171019	40	8
DH181022	47	16
DH181052	59	10
DH191007	46	13
DH191008	46	14
DH191017	47	24
DH191019	46	15
DH201019	64	8
DH201040	59	16
DH73034K	50	4
DH73034L	50	4
DH73034M	50	4
DH73035C	50	4
DH74012V	53	5
DH74014K	53	5
DH74014L	53	5
DH74014M	53	5
DH74015C	53	5
DJ101063	9	24
DJ101064	23	4
DJ101300	9	25
DJ101302	12	4
DJ121070	20	11
DJ141008	55	6
DJ151073	39	8
DJ161069	34	8
DJ161069	51	14
DJ161072	63	8
DJ161079	67	8
DJ161080	67	9
DJ161122	33	9
DJ161124	35	12
DJ161126	32	1
DJ161127	32	3
DJ161128	33	3
DJ161129	33	4
DJ161132	30	8
DJ161133	30	9

## PART INDEX



Part No.	Figure No.	Page No.
DJ161228	17	7
DJ161229	61	12
DJ161247	64	10
DJ171034	31	16
DJ181011	47	16
DJ181033	59	3
DJ181065	59	12
DJ181065	64	13
DJ181119	56	4
DJ181120	59	2
DJ191009	46	8
DJ191028	38	7
DJ191029	38	8
DJ191030	38	9
DJ191054	47	25
DJ191055	46	9
DJ191056	38	11
DJ191057	38	3
DJ191082	46	8
DJ191083	46	9
DJ201106	35	11
DJ201109	38	12
DJ201126	64	9
DJ201140	14	23
DJ201140	65	15
DJ201159	56	2
DJ201176	59	1A
DJ201182	56	3
DJ201195	47	20
DJ201202	26	12
DJ201206	60	2
DJ201206	60	3
DJ201207	60	1
DJ201207	60	4
DJ201246	47	20
DJ221003	62	17
DJ221004	62	18
DK101003	2	3
DK101063	5	1

Part No.	Figure No.	Page No.
DK101064	4	10
DK101065	6	1
DK101072	19	13
DK101094	13	3
DK101097	13	6
DK101102	8	6
DK101103	8	3
DK101105	8	12
DK101106	8	14
DK101118	9	17
DK101126	19	14
DK101135	10	10
DK101144	8	10
DK101159	10	1
DK101160	10	2
DK101176	28	6
DK101177	11	11
DK101180	11	12
DK101182	11	4
DK101185	45	4
DK101186	45	3
DK101187	45	5
DK101225	21	2
DK101237	21	10
DK101241	6	13
DK101245	9	21
DK101248	6	7
DK101251	15	6
DK101252	15	11
DK101253	11	9
DK101279	21	16
DK101326	3	6
DK101327	3	7
DK101328	5	3
DK101330	4	5
DK101340	21	3
DK101352	9	22
DK101361	10	8
DK101366	21	9

## PART INDEX



Part No.	Figure No.	Page No.
DK101380	14	18
DK101382	10	5
DK101386	4	9
DK101416	7	1
DK101469	16	19
DK101471	8	1
DK101475	23	5
DK101480	15	13
DK101482	23	1
DK101503	2	14
DK101560	18	1
DK101563	18	3
DK101564	18	4
DK101565	18	7
DK101566	18	6
DK101567	18	6
DK101568	18	6
DK101569	18	5
DK101570	19	18
DK101571	19	19
DK101572	18	8
DK101573	18	12
DK101574	18	10
DK101577	14	26
DK101581	13	1
DK101592	5	7
DK101605	28	2
DK101607	1	1
DK101607	2	1
DK101610	23	7
DK101613	12	1
DK101614	4	2
DK101625	5	5
DK101630	21	6
DK101631	21	7
DK101632	8	7
DK101633	9	18
DK101634	21	1
DK101635	21	13

Part No.	Figure No.	Page No.
DK101636	19	16
DK101717	9	17
DK101718	8	14
DK101719	9	20
DK101720	9	18
DK101725	11	8
DK101732	10	5
DK101733	11	1
DK101738	16	18
DK101748	3	1
DK101751	3	2
DK101755	3	3
DK101762	17	5
DK101770	28	13
DK111016	27	A
DK111021	27	B
DK111028	26	5
DK111040	22	7
DK111072	26	11
DK121008	22	9
DK121009	22	2
DK121015	22	8
DK121022	22	10
DK121038	22	1
DK121039	22	11
DK121041	20	3
DK121042	20	4
DK121043	20	5
DK121044	20	6
DK121045	20	7
DK121047	20	13
DK121048	20	14
DK121084	27	18
DK141001	54	4
DK141014	54	1
DK141015	51	11
DK151008	37	14
DK151009	40	7
DK151012	41	16

## PART INDEX

*pulsar* ATS-I  
220

Part No.	Figure No.	Page No.
DK151013	40	12
DK151015	40	13
DK151017	41	17
DK151022	40	5
DK151023	42	6
DK151024	40	1
DK151026	36	5
DK151027	37	7
DK151028	37	3
DK151031	43	1
DK151032	42	2
DK151033	42	3
DK151034	42	4
DK151036	41	22
DK151038	42	12
DK151039	36	2
DK151040	36	4
DK151041	44	8
DK151042	43	5
DK151043	43	4
DK151045	42	8
DK151050	36	3
DK151054	39	1
DK151057	38	2
DK151059	42	1
DK151059	44	1
DK151063	42	9
DK151064	44	9A
DK151065	44	10
DK151066	44	12
DK151067	44	11
DK151068	44	2
DK151069	42	10
DK151070	44	--
DK151071	44	-
DK151073	43	2
DK151074	43	2A
DK151076	43	6
DK151077	43	7

Part No.	Figure No.	Page No.
DK151078	43	3
DK151081	41	17A
DK151082	41	17B
DK151083	42	1A
DK151085	42	12A
DK151088	44	16
DK151089	44	17
DK151090	44	18
DK161069	59	3
DK161070	61	6
Dk161071	61	7
DK161072	61	8
DK161073	61	10
DK161076	61	14
DK161077	61	15
DK161081	21	4
DK161081	61	3
DK161082	61	4
DK161085	34	6
DK161086	34	3
DK161096	29	1
DK161098	34	1
DK161122	35	1
DK161123	51	8
DK161124	51	9
DK161125	62	24
DK161126	61	5
DK161137	33	1
DK161138	33	2
DK161147	67	5
DK161148	67	6
DK161152	62	23
DK161153	63	3
DK161159	29	5
DK161160	29	6
DK161161	29	12
DK161164	63	15
DK161176	67	3
DK161185	55	1

Part No.	Figure No.	Page No.
DK161186	21	14
DK161187	21	15
DK161188	21	11
DK161189	21	12
DK161208	59	7
DK161210	51	17
DK161210	62	21
DK161217	67	5
DK161218	67	6
DK161222	29	16
DK161223	29	17
DK161250	58	1
DK161255	51	13
DK161257	51	13
DK161259	21	18
DK161260	21	18
DK161263	21	18
DK161264	21	18
DK161308	33	1
DK161309	33	2
DK171003	31	9
DK171006	31	6
DK171011	31	4
DK171014	31	1
DK181002	49	30
DK181006	48	6
DK181007	48	5
DK181008	49	24
DK181009	49	28
DK181010	48	7
DK181011	48	9
DK181012	49	29
DK181013	49	26
DK181017	49	25
DK181018	49	16
DK181019	48	2
DK181020	49	32
DK181021	49	31
DK181022	48	11

Part No.	Figure No.	Page No.
DK181023	48	12
DK181024	49	22
DK181025	49	23
DK181034	47	27
DK181036	47	21
DK181037	48	15A
DK181039	46	1
DK181048	48	15
DK181050	30	6
DK181051	30	10
DK181052	38	6A
DK181056	48	3
DK181057	48	4
DK181060	46	4
DK181062	46	3
DK181063	46	1
DK181070	48	8
DK181071	48	14
DK181072	48	1
DK181073	48	10
DK181074	51	18
DK181075	30	3
DK181076	30	4
DK181081	46	4
DK181082	47	22
DK181085	46	3
DK181086	47	23
DK191012	45	1
DK191013	45	6
DK191014	64	7
DK201001	26	12
DK201003	63	1
DK201015	47	18
DK201036	26	13
DK201037	64	1
DK201038	64	2
DK201043	59	15
DK201044	59	9
DK201056	59	1

## PART INDEX

*pulsar* ATS-I  
220

Part No.	Figure No.	Page No.
DK201065	54	9
DK201070	46	6
DK201071	46	7
DK201078	64	12
DK201083	47	20
DK201098	57	3
DK201117	59	16
DK211001	24	1
DK211004	24	4
DK211008	24	5
DK221001	62	19
DK221011	66	1
DK221014	62	17
DK221015	47	26
DK221015	62	18
DK221020	62	25
DK221026	62	26
DK221022	47	25
DK221023	47	26
DK221024	66	2
DK71032V	50	1
DK71034K	50	1
DK71034L	50	1
DK71034M	50	1
DK71035C	50	1
DK71035F	52	1
DK71035G	52	1
DK71045F	50	1
DK71045G	50	1
DK71052V	52	1
DK71054K	52	1
DK71054L	52	1
DK71054M	52	1
DK71055C	52	1
DK73032V	50	4
DK73042V	50	5
DK73042V	52	4
DK73044K	50	5
DK73044K	52	4

Part No.	Figure No.	Page No.
DK73044L	51	5
DK73044L	53	4
DK73044M	51	5
DK73044M	53	4
DK74012V	51	7
DK74014K	51	7
DK74014L	51	7
DK74014M	51	7
DK74015C	51	7
DK902627	23	6
DL181010	59	6
DL191014	46	10
DP161144	63	12
DP161145	63	9
DS101071	16	20
DS101084	1	7
DS101096	1	5
DS101154	6	5
DS101166	1	4
DS101215	15	8
DS101276	4	6
DS101333	3	3
DS101335	3	1
DS101336	3	2
DS101353	15	9
DS101353	17	3
DS101353	27	21
DS101366	3	8
DS151073	40	15
DS151074	40	14
DS161125	34	7
DS161125	51	12
DS161224	58	2
DS181026	63	13
DS211005	24	2
DV101042	17	2
DV101048	9	23
DX161067	32	6
GH201012	60	5

Part No.	Figure No.	Page No.
JB402202	21	17
JC101029	12	2
JC101033	17	5
JC101034	4	12
JC101085	4	4
JC101086	4	3
JC101112	28	3
JC101115	28	8
JC111007	27	20
JC111010	27	C
JC111022	26	7
JC111023	26	8
JC111026	26	1
JC111028	26	2
JC120017	2	12
JC120018	2	6
JC120024	20	1
JC141018	53A	6
JC141018	53B	6
JC141019	53A	7
JC141019	53B	7
JC141034	54	5
JC141039	51	16
JC141040	51	16
JC141049	51	15
JC151013	36	1
JC151016	40	11
JC151020	37	11
JC161017	35	6
JC161026	63	13
JC161049	30	1
JC161050	30	1
JC181022	49	19
JC181023	49	18
JC181024	49	20
JC181029	47	27
JC191004	57	2
JC191014	56	1
JC191018	56	1

Part No.	Figure No.	Page No.
JC191019	57	1
JC201009	59	15
JC201016	65	17
JC201017	46	6
JC201018	46	7
JC201027	65	14
JC201037	64	5
JC201040	65	17
JC201041	64	5
JC201045	47	18
JC201046	57	4
JC201050	37	12
JC72012V	52	2
JC72014K	52	2
JC72014L	52	2
JC72014M	52	2
JC72015C	52	2
JC72022V	52	3
JC72024K	52	3
JC72024L	52	3
JC72024M	52	3
JC72025C	52	3
JD401806	65	18
JE541212	17	9
JG131219	40	10
JM171003	31	11
JM171004	31	12
JN181406	62	22
JW401011	63	7
KEBA3715	14	28
LAC00020	47	28